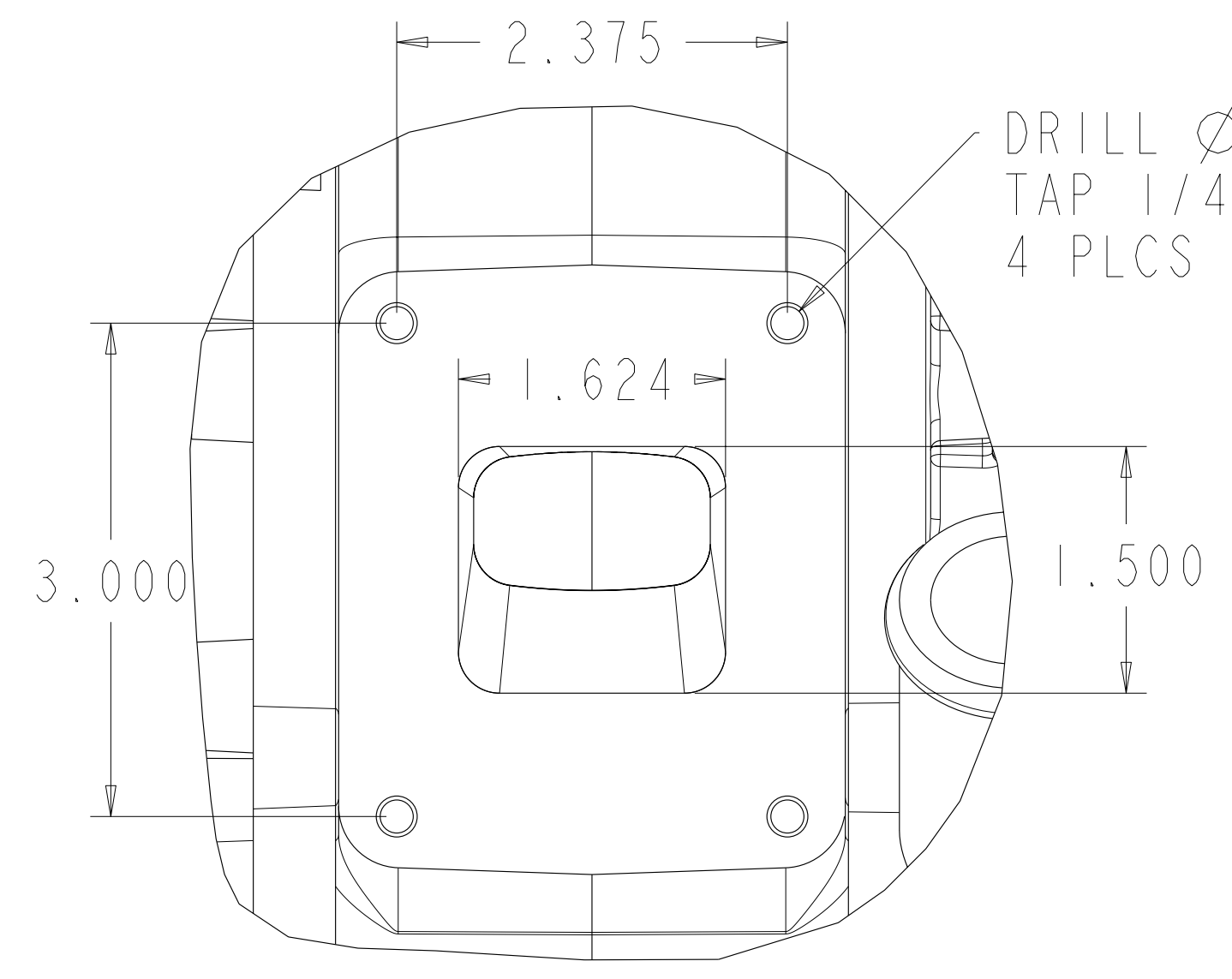
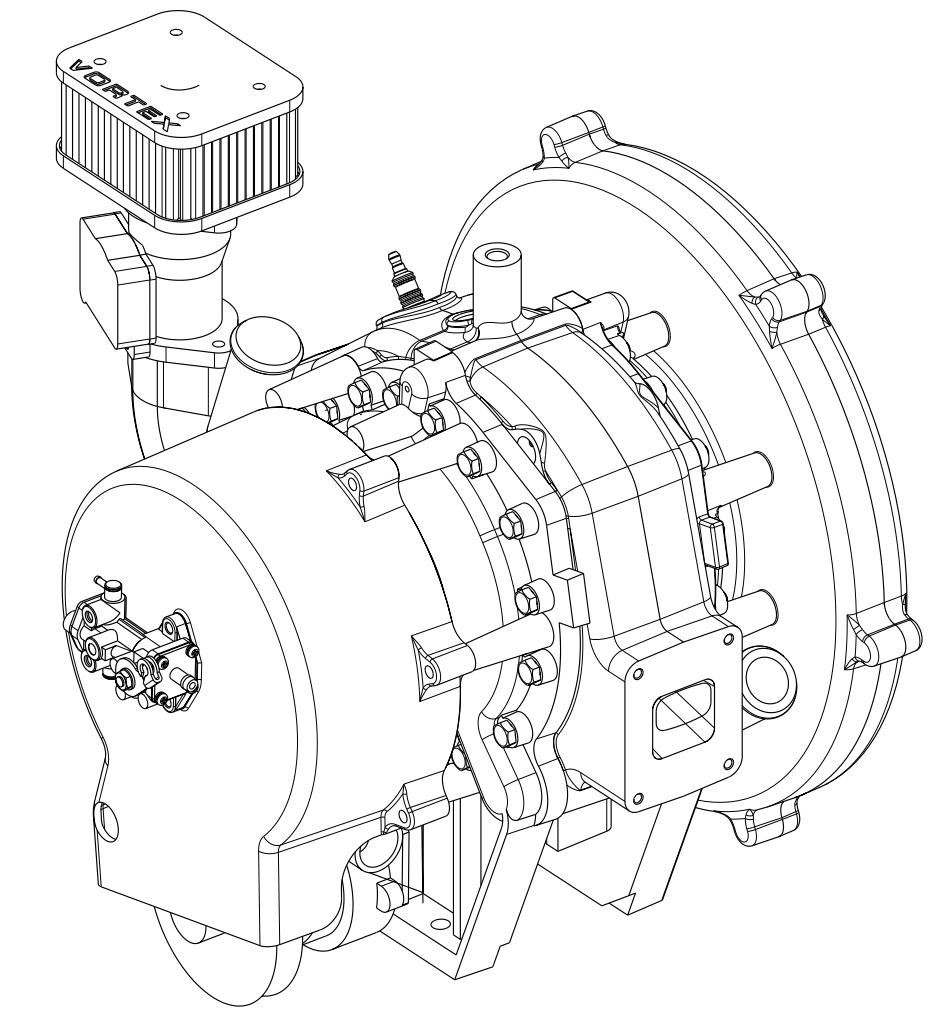
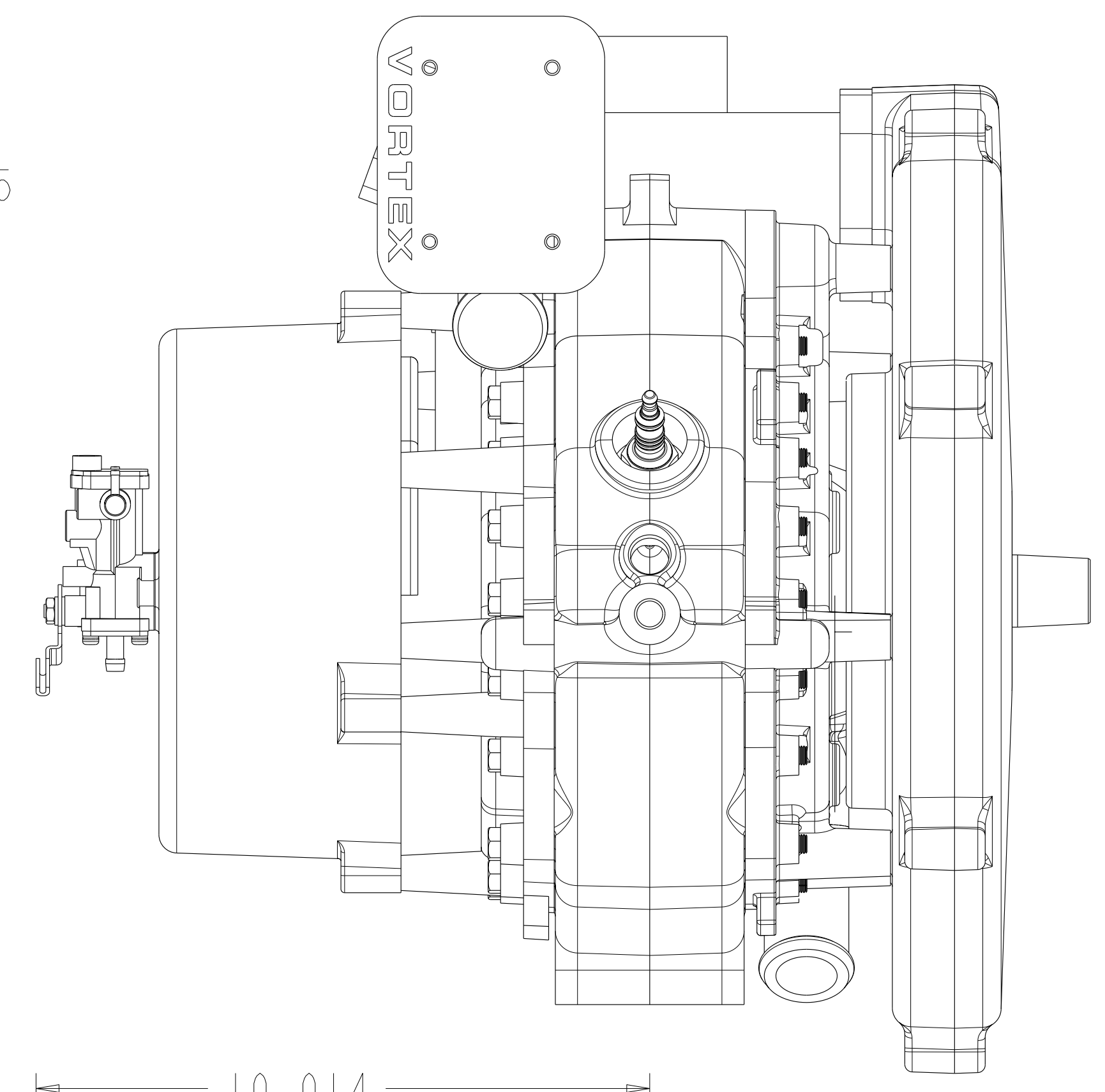


REVISIONS			
REV	DESCRIPTION	DATE	DRN/CHK
A			

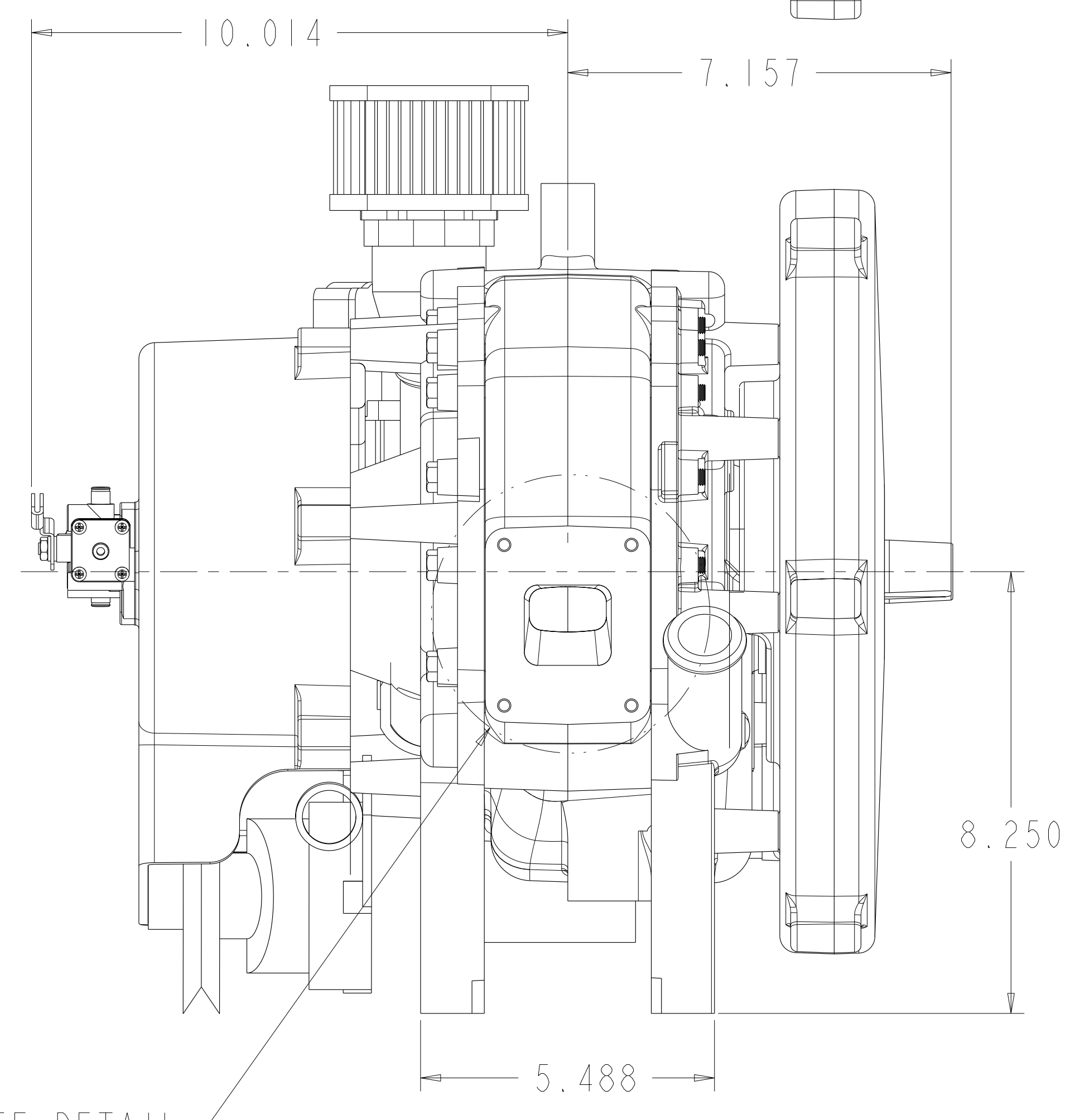
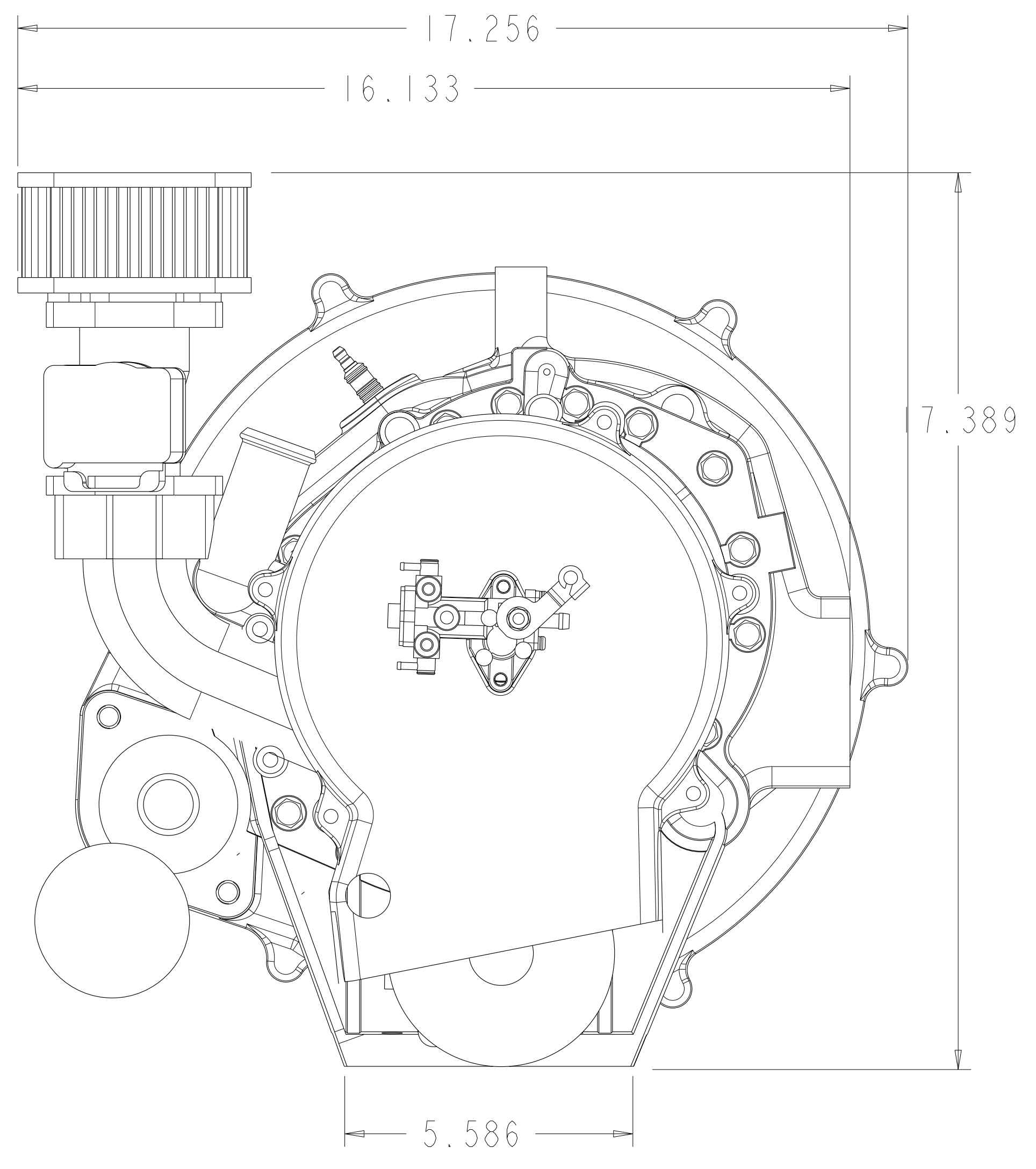


DRILL  $\varnothing$ .201  $\nabla$  1.00  
 TAP 1/4-20 UNC-2B  $\nabla$  .75  
 4 PLCS

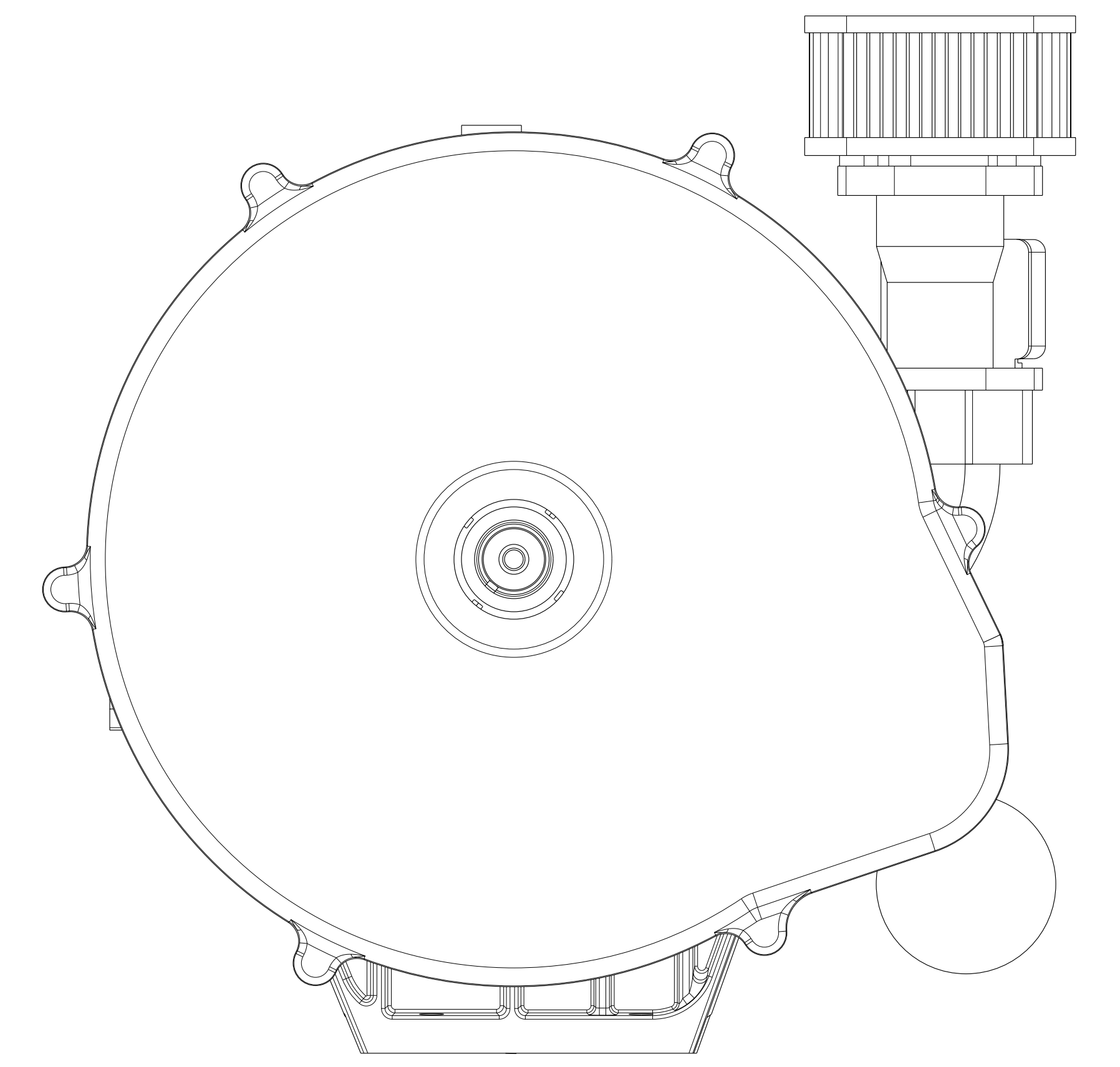
DETAIL EXHAUST  
 SCALE 1.000



SCALE 0.250

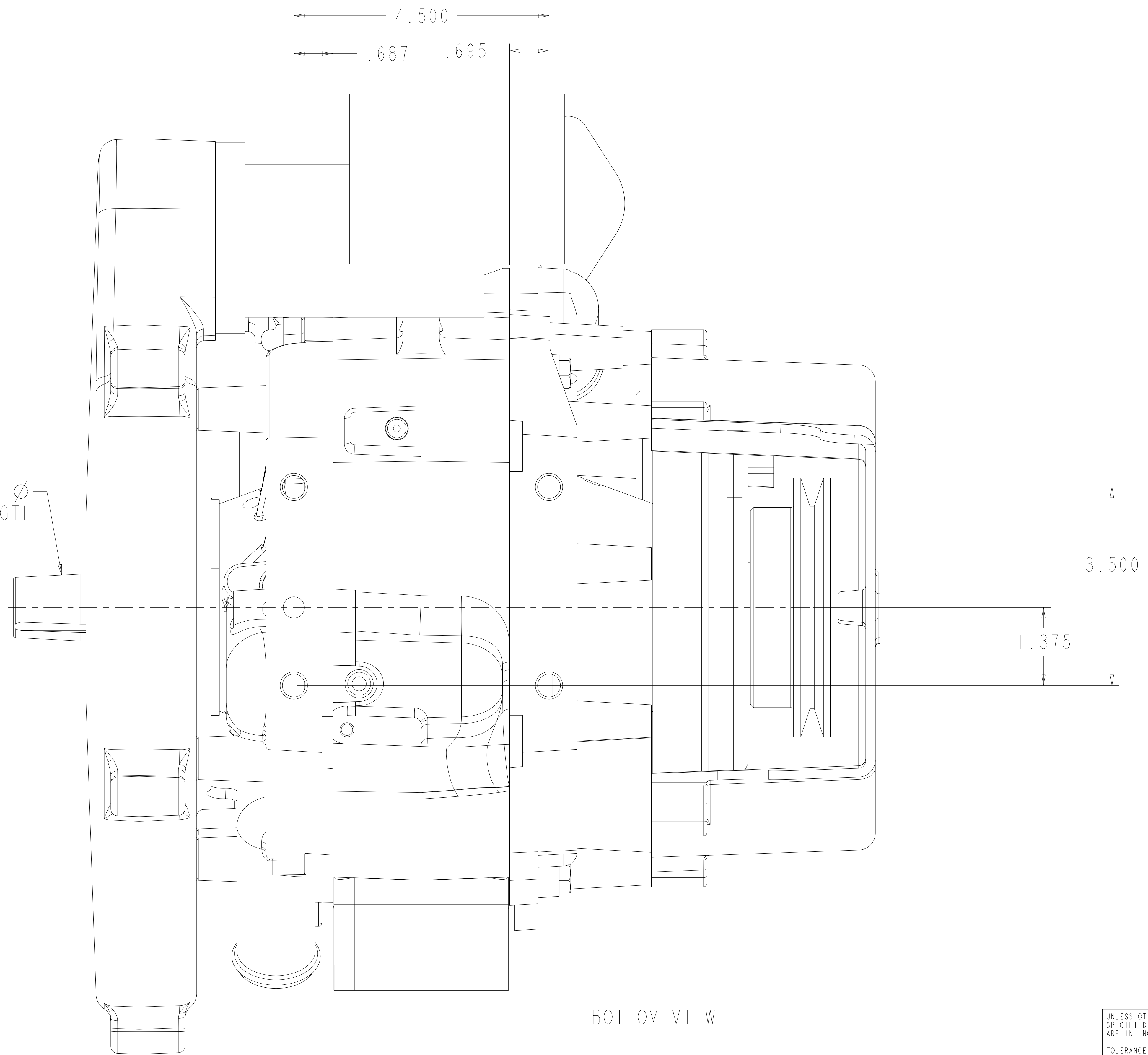


SEE DETAIL EXHAUST



UNLESS OTHERWISE SPECIFIED ALL DIMS ARE IN INCHES	DES.			ROTAMAX, INC.
	DRWN	KDS	03/03	
TOLERANCES:	CHECKED			ROTAPOWER 650 SERIES
.XXX ±.005				
.XX ±.010				
.X ±.030				
ANGLE ±.5°				
MATERIAL:	SIZE	D	REV	DWG NO. RPI-650L-C1
FINISH:	SCALE	0.500		NEXT ASS'Y
				SHT 1 OF 3

REVISIONS			
REV	DESCRIPTION	DATE	DRN/CHK
A			



.1000 TAPER ON  $\varnothing$   
PER INCH OF LENGTH

BOTTOM VIEW

UNLESS OTHERWISE SPECIFIED ALL DIMS ARE IN INCHES	DES.			ROTAMAX, INC.
	DRWN	KDS	04/03	
TOLERANCES:	CHECKED			ROTAPOWER 650 SERIES
.XXX ±.005				
.XX ±.010				
.X ±.030				
ANGLE ±.5°				
MATERIAL:	SIZE	REQ'D	DWG NO.	REV
FINISH:	D		RPI-650L-C1	A
	SCALE	NEXT ASS'Y	SHT	2 OF 3
	1.000			