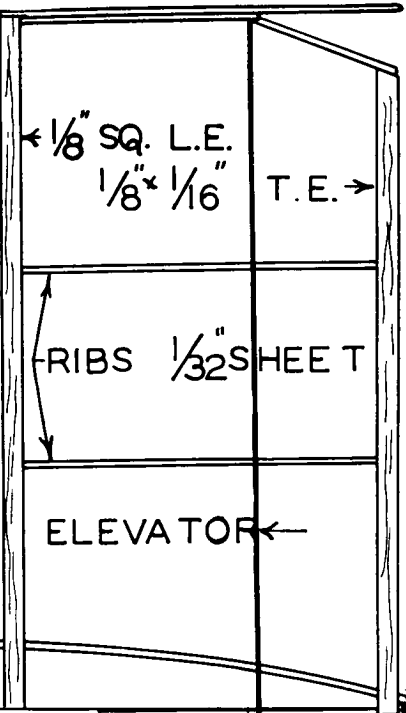
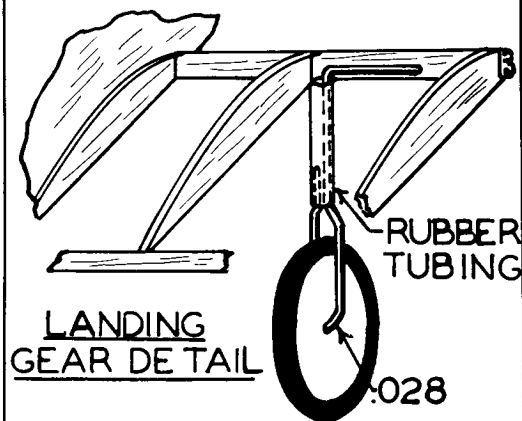
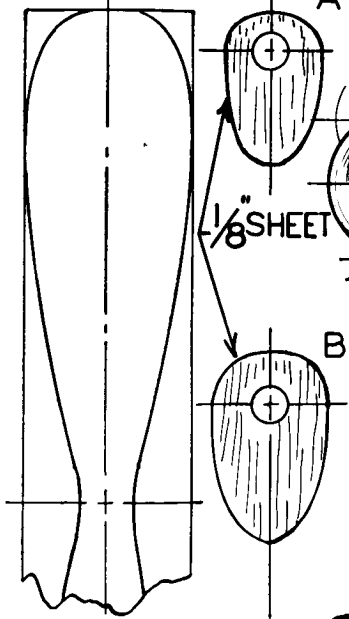
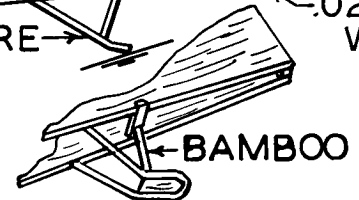


FUSELAGE
1/32 SHEET SIDES

MAUBOUSSIN
HEMIPTERE "40"
SCALE 1/2" = 1"



TAIL SKID DETAIL



← WING RIB - 10 REQ.

← STAB. RIB - 7 REQ

PROPELLER
FROM BLOCK
5" x 7/8" x 5/8"

A.K. Weiss