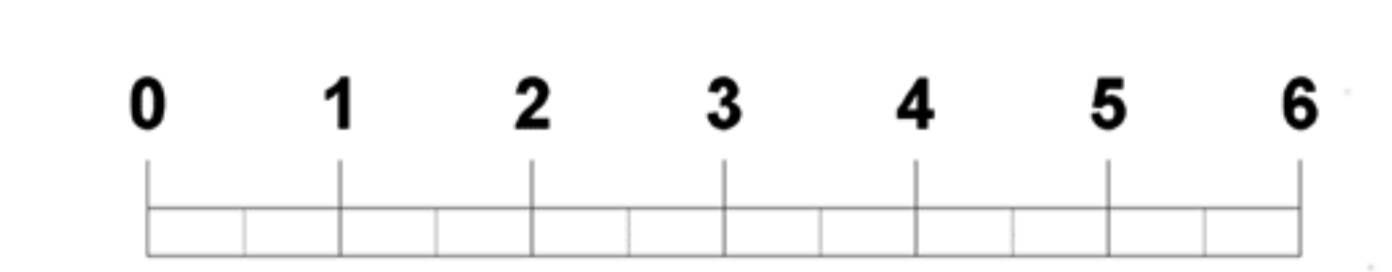
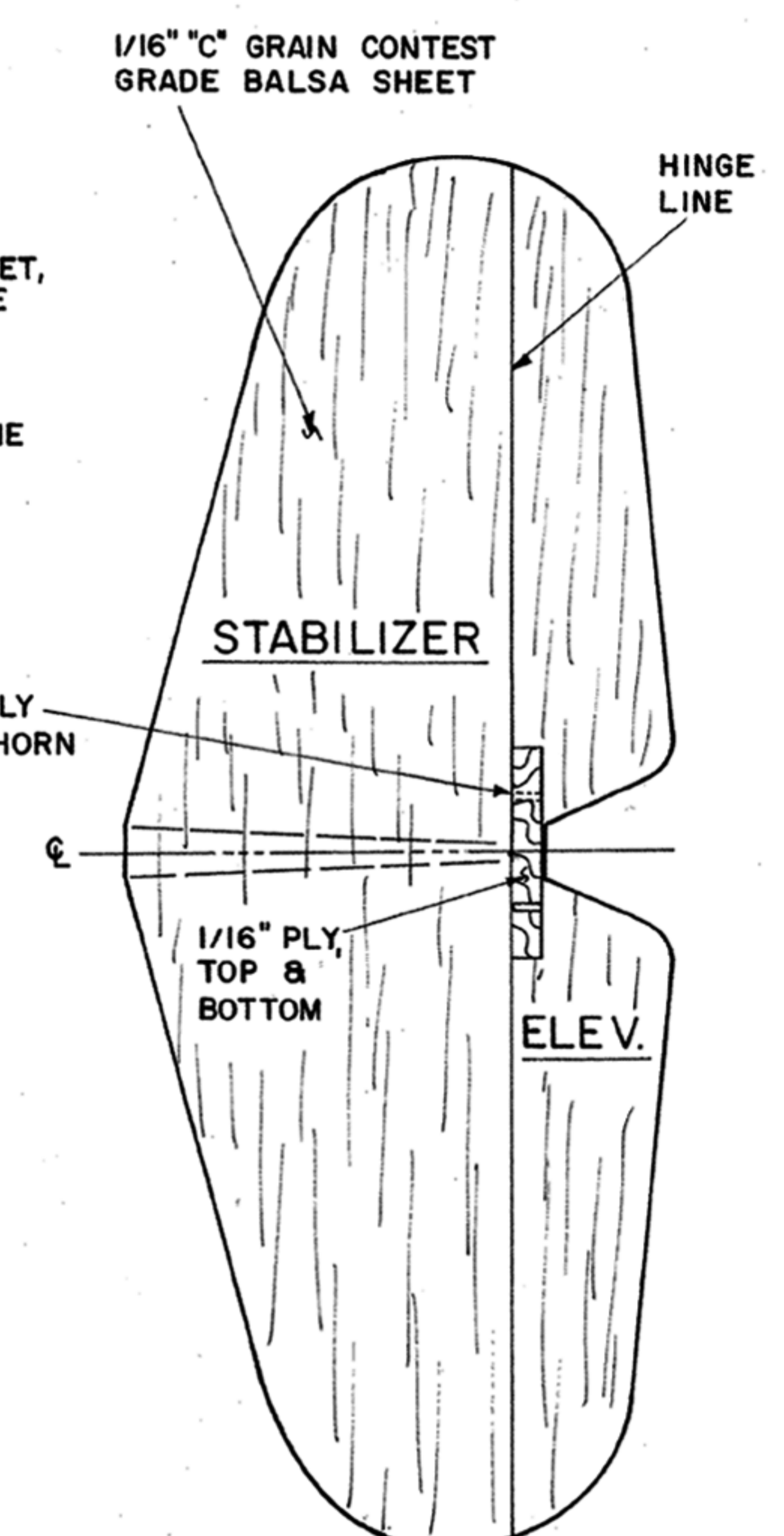
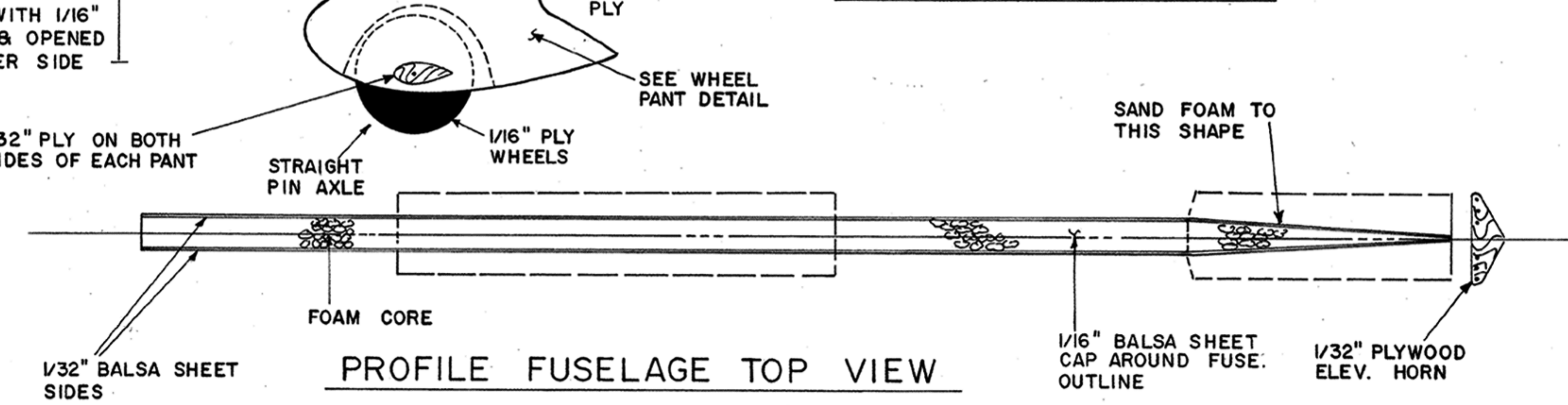
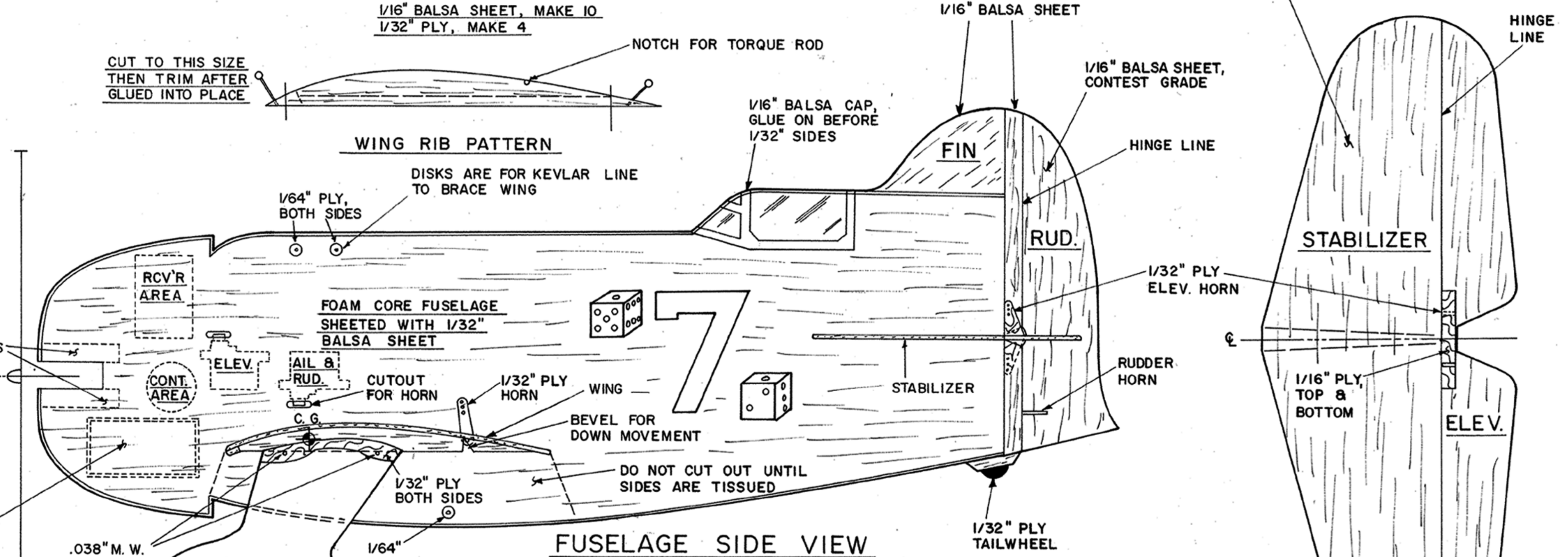
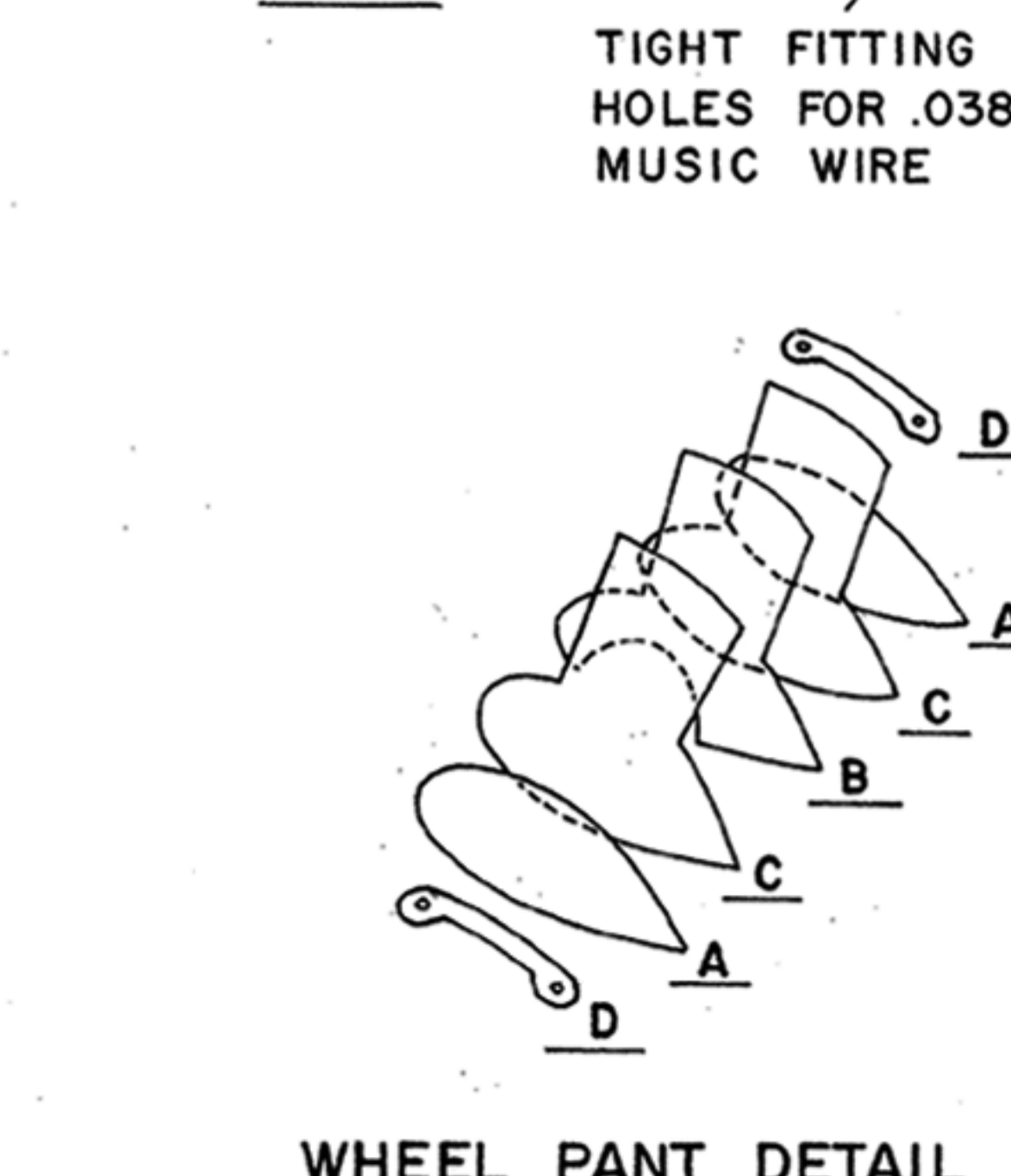
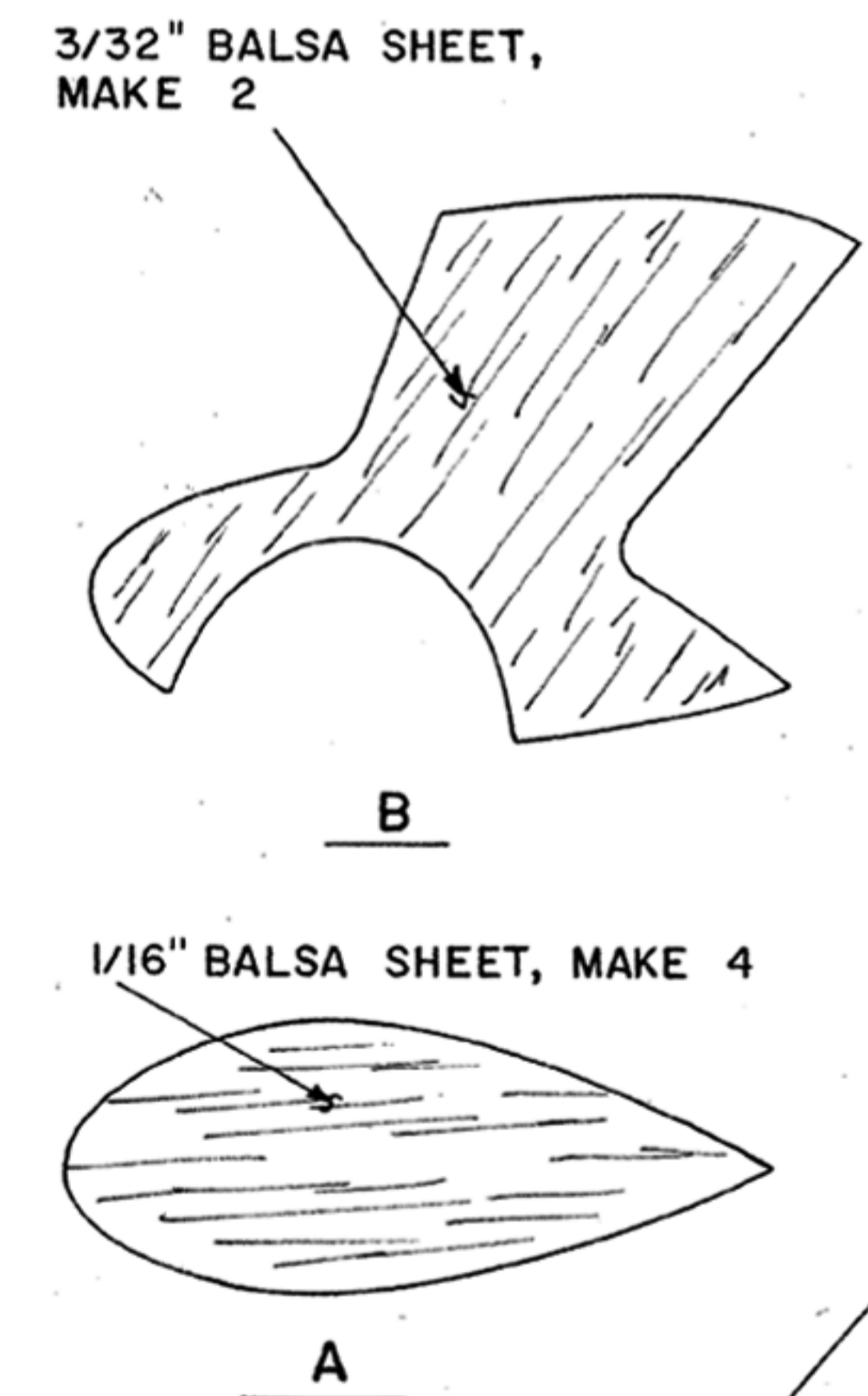


NOTE: APPLY TISSUE BY GENTLY DUSTING BOTH WOOD PARTS AND TISSUE WITH 3M 77. ONCE SMOOTHED DOWN, SEAL ALL EDGES WITH THINNED WHITE GLUE. THEN LIGHTLY WIPE TISSUE WITH DAMP PAPER TOWEL AND ALLOW TO DRY. NEXT BRUSH ON ONE THIN COAT OF NITRATE DOPE. ALLOW TO DRY. USE "FLOQUIL" FOR COLORS (SPRAYED).



GEE BEE - THOMPSON TROPHY RACER