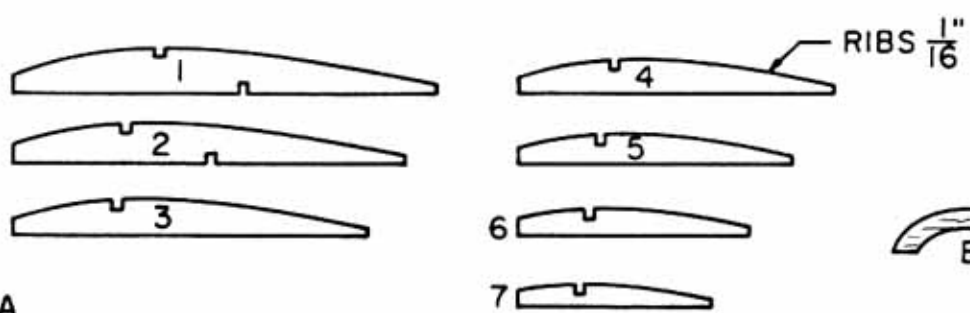
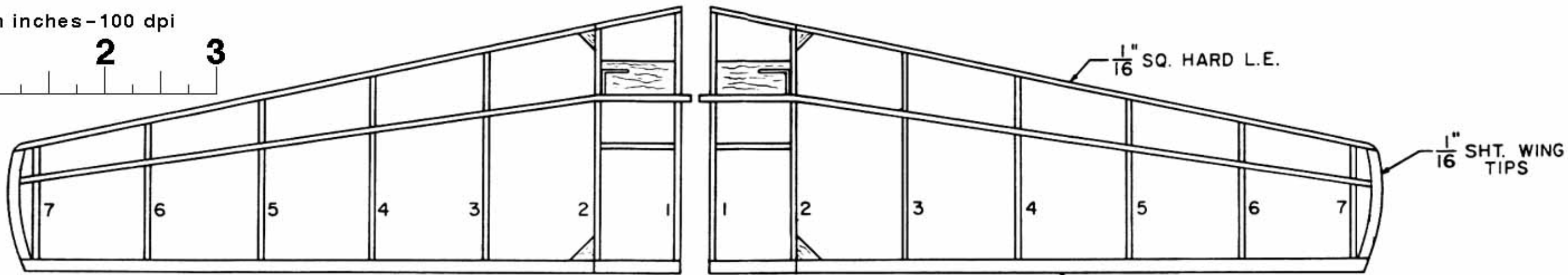


scale in inches - 100 dpi

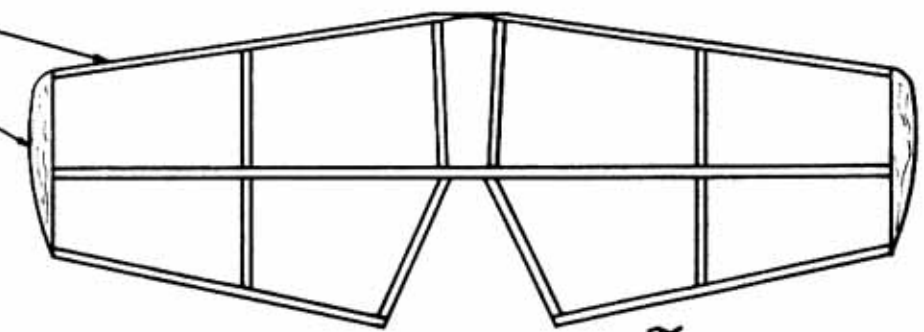


DIHEDRAL BREAKS

1/16 x 1/8 T.E.

1/20 SQ.

1/20 SHT.



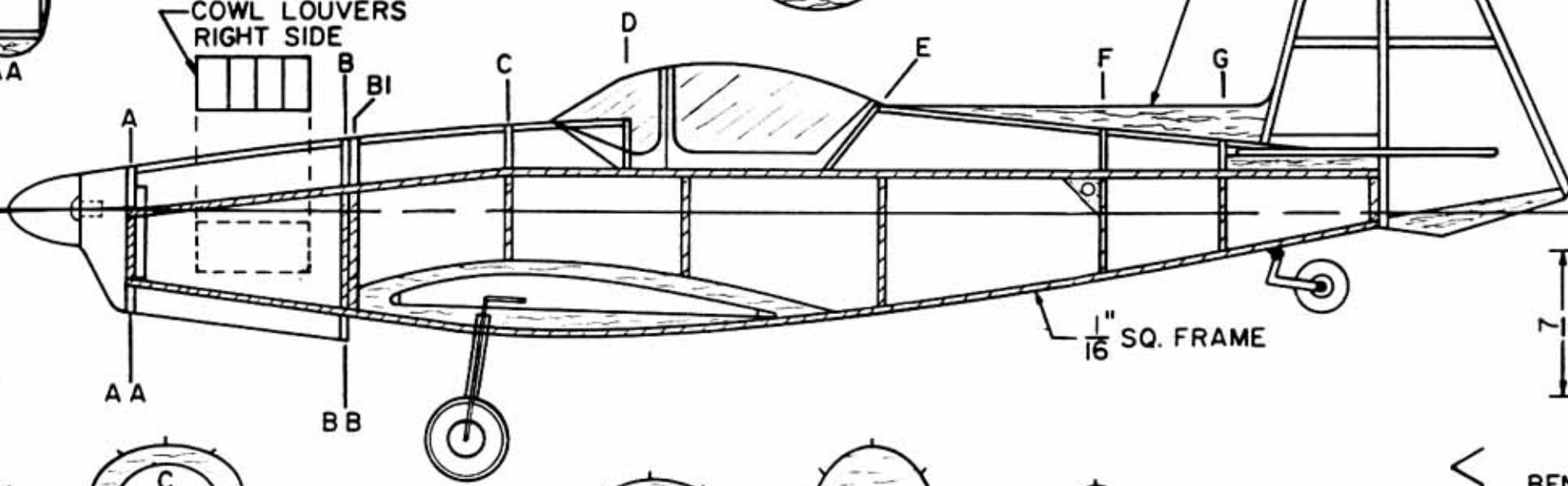
CUT OUT AFTER ASSBLY.



COWL LOUVERS RIGHT SIDE

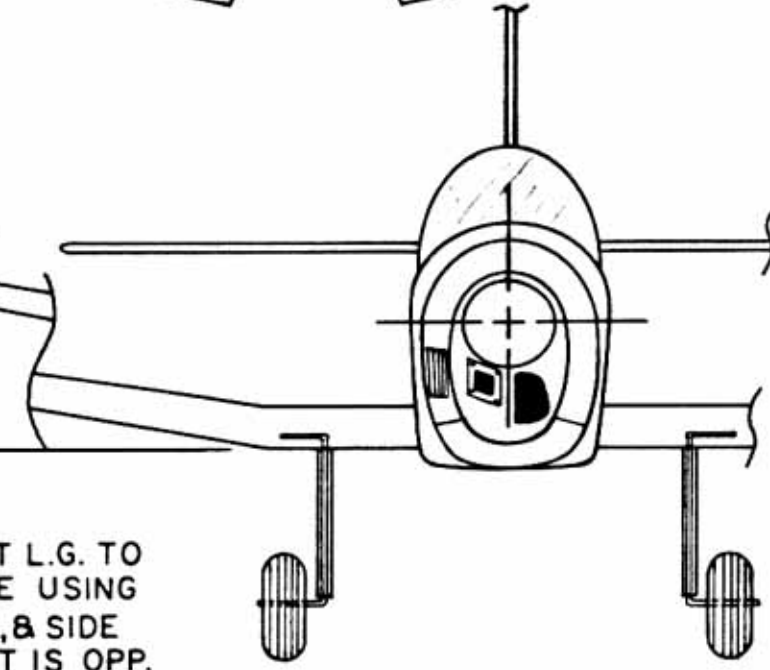
2° DOWN THRUST

USE 3 1/2\"/>



1/16 SQ. FRAME

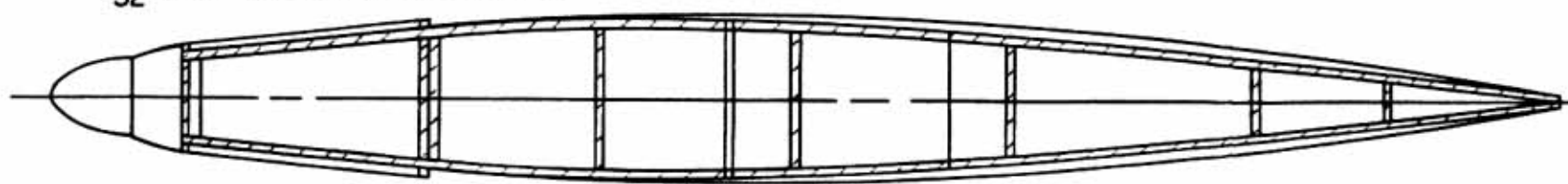
7/8 DIH.



COVER A TO B WITH 1/32 SHT. SIDES, TOP, BOTTOM.



BEND RIGHT L.G. TO THIS SHAPE USING TOP, FRONT, & SIDE VIEWS, LEFT IS OPP. USE 1/32 DIA. WIRE.



ZLIN 526 AS
PEANUT SCALE