

COWLING DETAIL

SAND GROOVE FOR MACHINE-GUN PORT

FILL WITH 1/16" SHEET BALSA

REMOVEABLE NOSEBLOCK N4 & N5
FOR SHAFT BEARING USE PECK-
POLYMERS NYLON BEARING

MAKE SPINNER FROM
N6 THROUGH N12

2° DOWNTHRUST

SCALE PROP SHOWN THIS VIEW

WHEELS W14 & W15
GLUE CROSS-GRAIN

MAKE LANDING GEAR FROM 1/32" MUSIC WIRE
BEND ONE AS SHOWN AND ONE OPPOSITE
WRAP WITH PAPER FOR SHAPE

PECK-POLYMERS NYLON BEARING

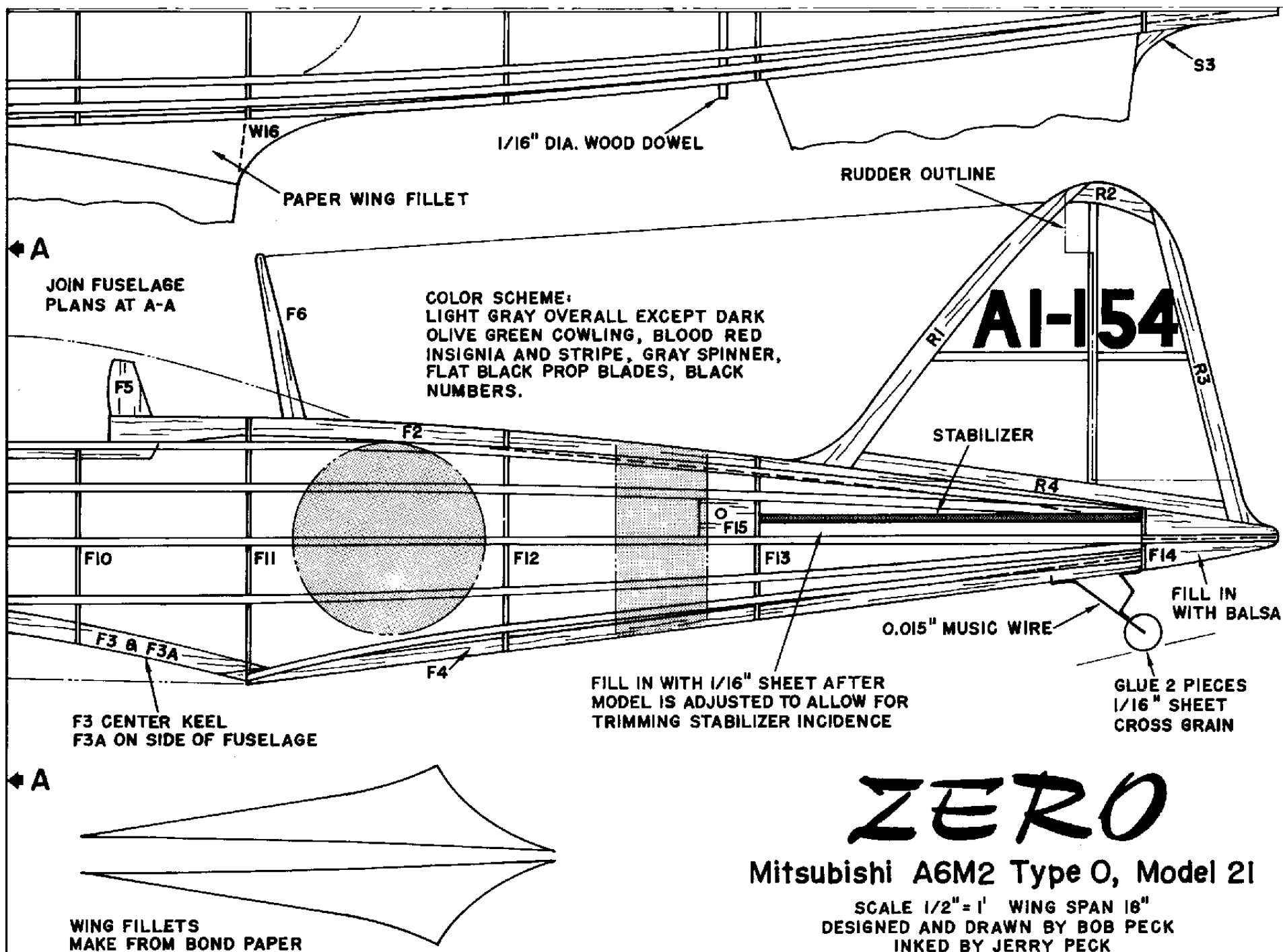
FLYING PROP
6" OR 7" DIA.
PLASTIC KAYSUN

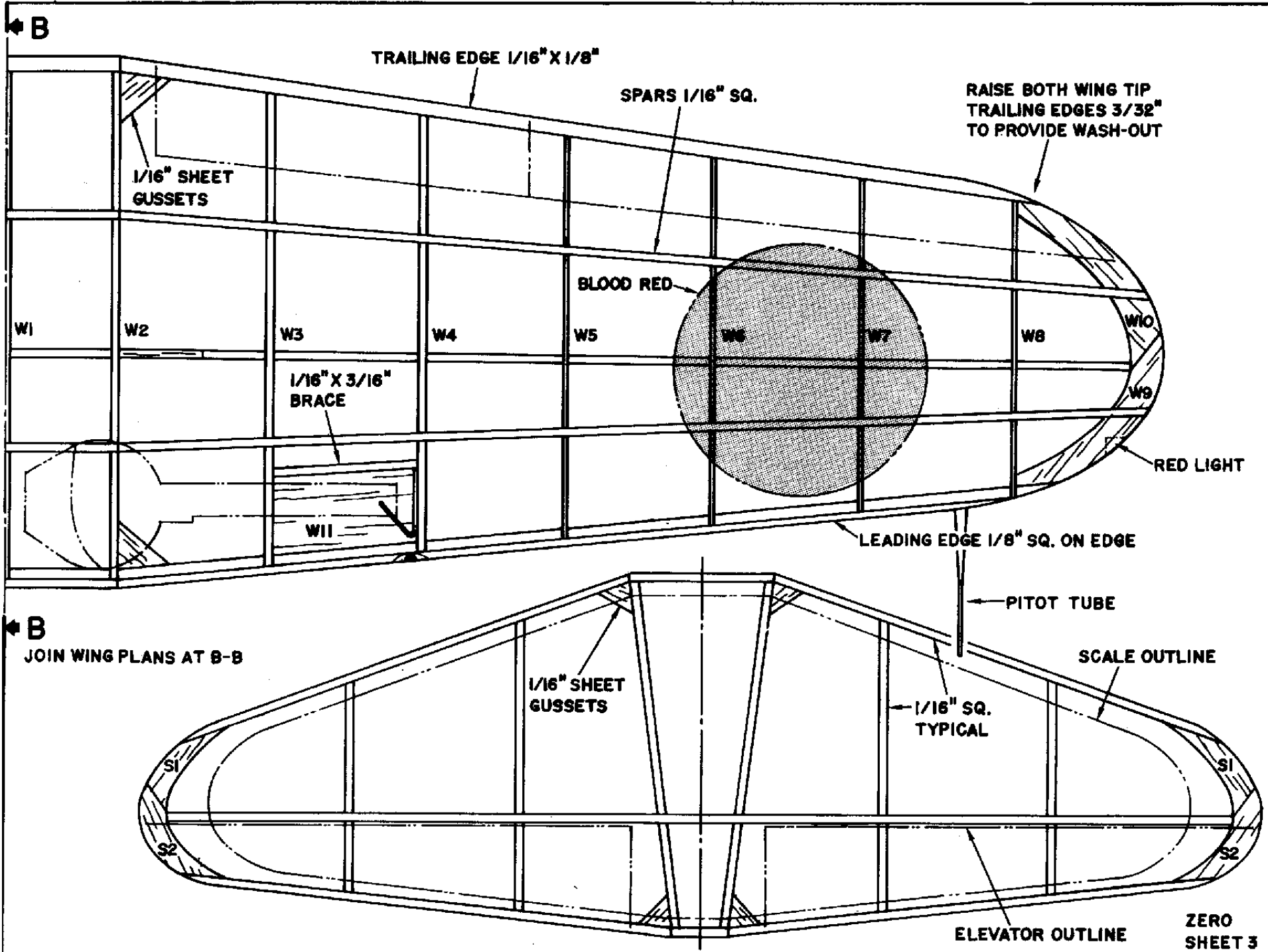
WING
BALANCE
POINT

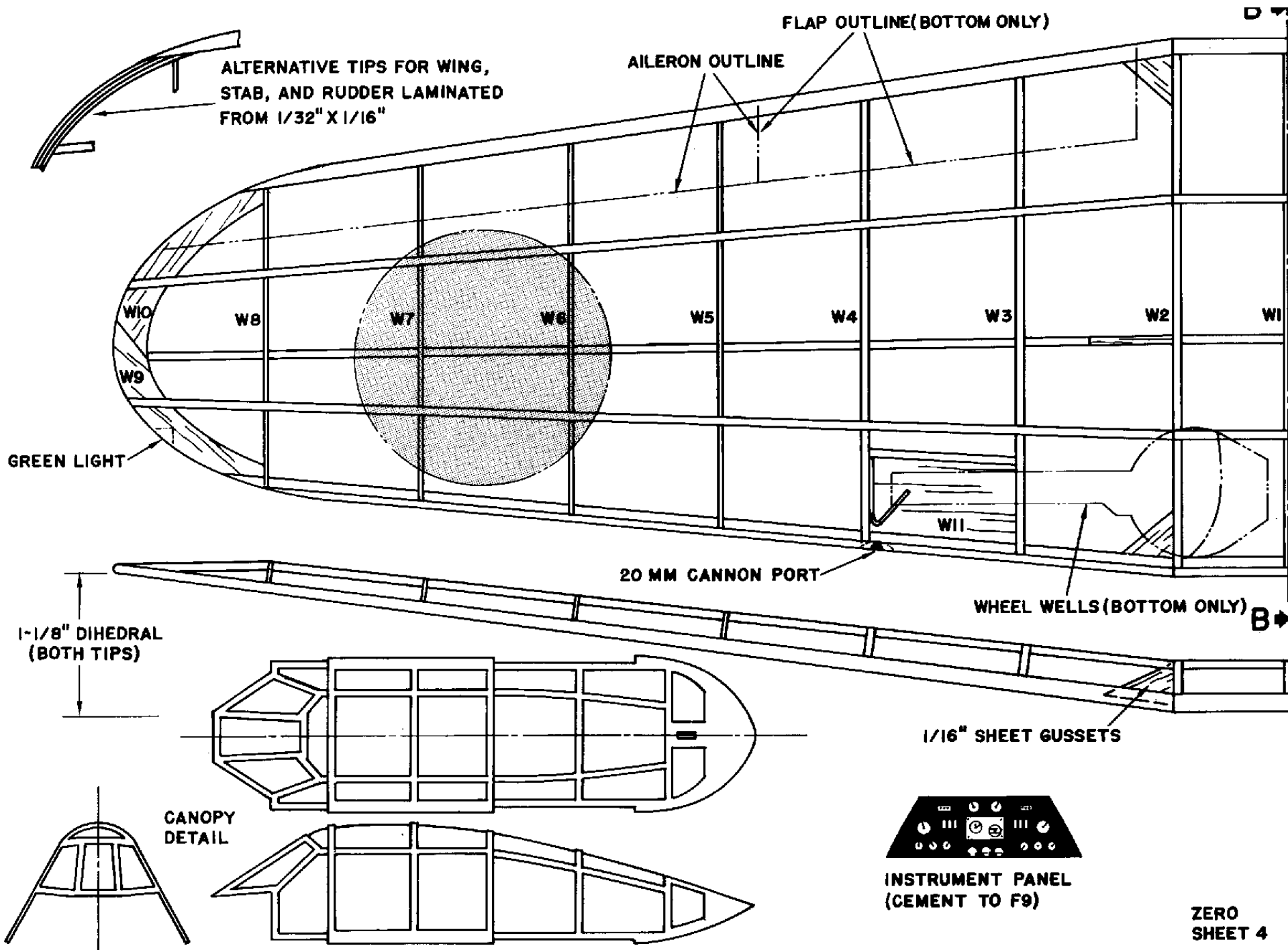
ZERO
SHEET 2

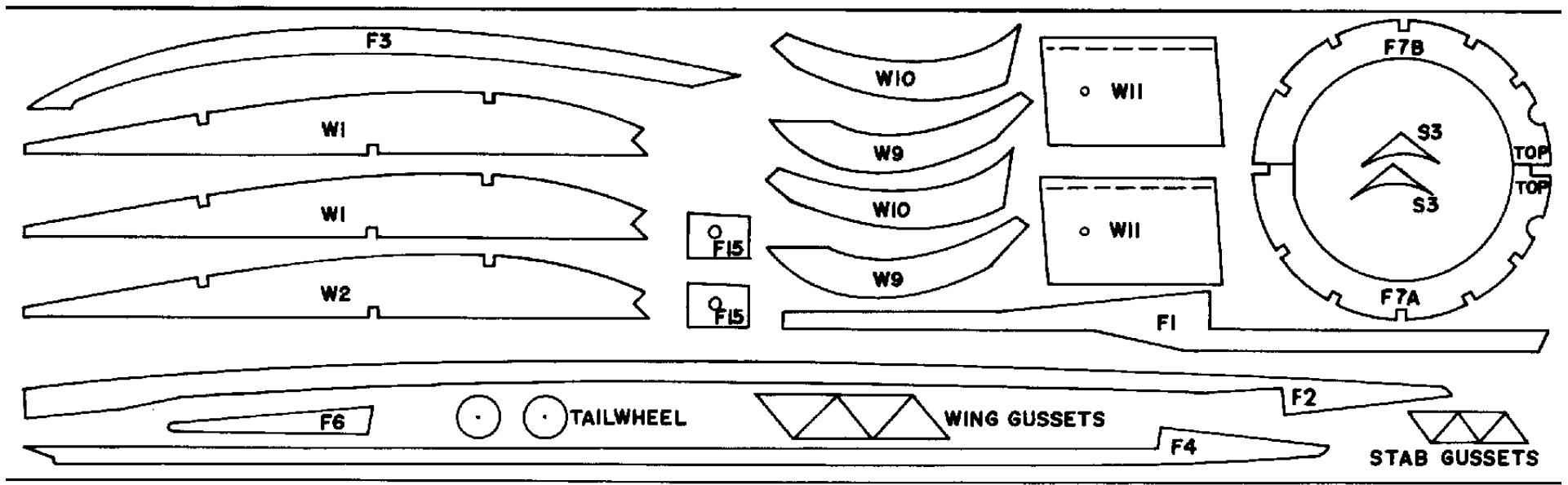
A →

A →

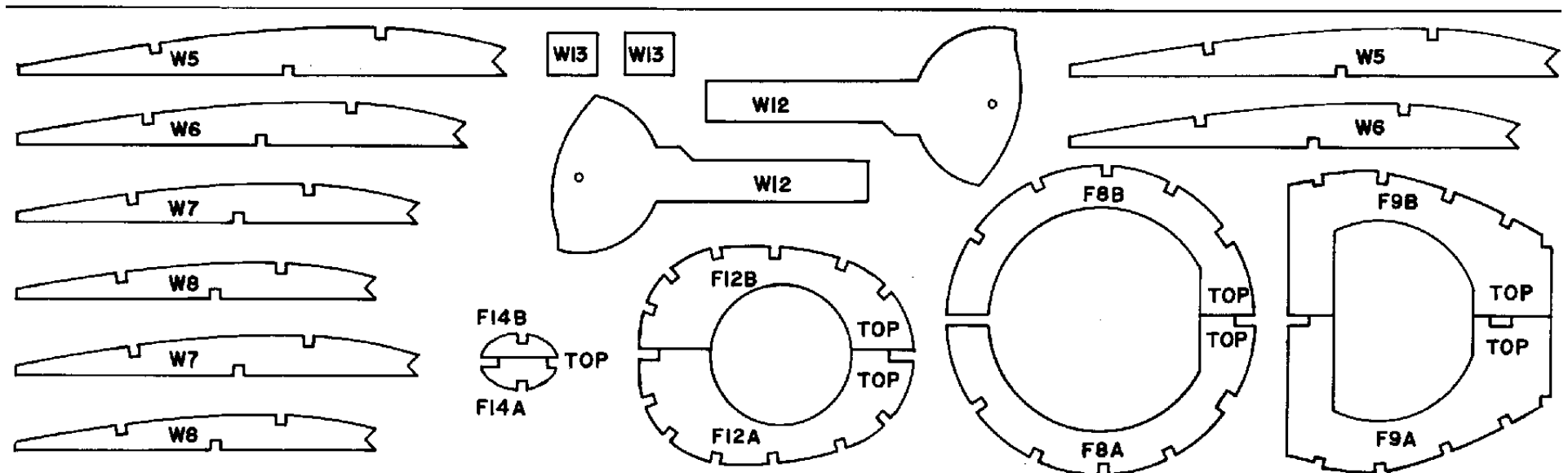


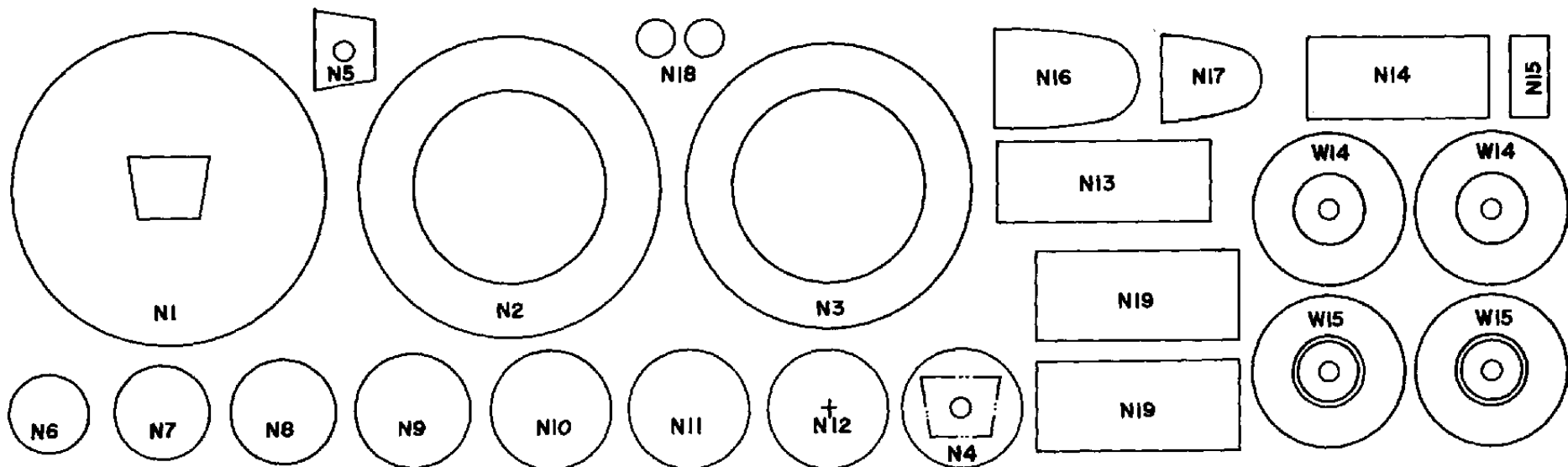




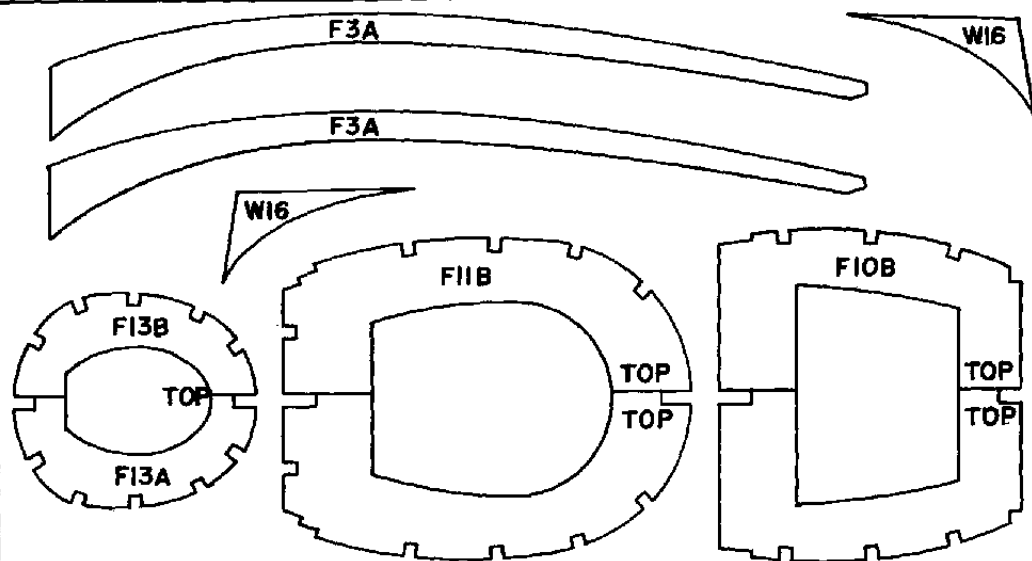


1/16" THICK BALSA

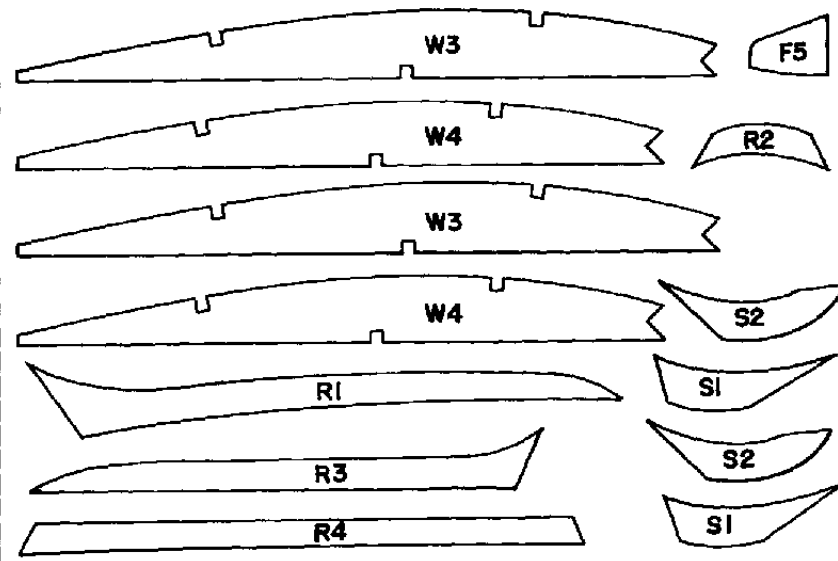




1/8" THICK BALSA



1/32" THICK BALSA



1/16" THICK BALSA