

3/32" PLYWOOD WING CONNECTS (2 PLACES)
1/16" PLYWOOD DOUBLER

3/32" POPLAR PLYWOOD

FUSELAGE TOP VIEW

1/4" Balsa Triangle Stock

3/8" X 1/2" HARDWOOD WING MOUNTS (4 PLACES)

SECTION C-C

SECTION B-B

SECTION A-A



F-14
1/8" POPLAR PLYWOOD

F-12
3/32" SHEET Balsa

F-15
3/16" PLYWOOD

F-11
3/32" SHEET Balsa

F-8
3/32" POPLAR PLYWOOD

F-16
3/32" SHEET Balsa

F-2
1/16" PLYWOOD

F-3
1/16" PLYWOOD

F-7
1/8" POPLAR PLYWOOD

F-9
3/32" SHEET Balsa

VR-2
1/16" SHEET Balsa

VR-12
1/16" SHEET Balsa

F-10
1/16" PLYWOOD

FJ-2
1/16" SHEET Balsa

VR-13
1/16" SHEET Balsa

F-10
1/16" PLYWOOD

FJ-3
1/16" SHEET Balsa

VR-8
1/16" SHEET Balsa

F-10
1/16" PLYWOOD

FJ-3
1/16" SHEET Balsa

VR-9
1/16" SHEET Balsa

F-10
1/16" PLYWOOD

FJ-3
1/16" SHEET Balsa

VR-6
1/16" SHEET Balsa

F-10
1/16" PLYWOOD

FJ-3
1/16" SHEET Balsa

VR-7
1/16" SHEET Balsa

F-10
1/16" PLYWOOD

FJ-3
1/16" SHEET Balsa

VR-7
1/16" SHEET Balsa

F-10
1/16" PLYWOOD

FJ-3
1/16" SHEET Balsa

VR-7
1/16" SHEET Balsa

F-10
1/16" PLYWOOD

FJ-3
1/16" SHEET Balsa

VR-7
1/16" SHEET Balsa

F-10
1/16" PLYWOOD

FJ-3
1/16" SHEET Balsa

VR-7
1/16" SHEET Balsa

NOTE: ALL JIG PARTS ARE MADE FROM EITHER 1/8" PLYWOOD OR 1/8" POPLAR PLYWOOD.

FUSELAGE MAIN BODY SHAPED FROM FOAM STOCK AND COVERED WITH .5 OZ FIBERGLASS CLOTH

ENGINE G, NO THRUST OFFSET USED
1/4" SHEET Balsa

Balsa Filler

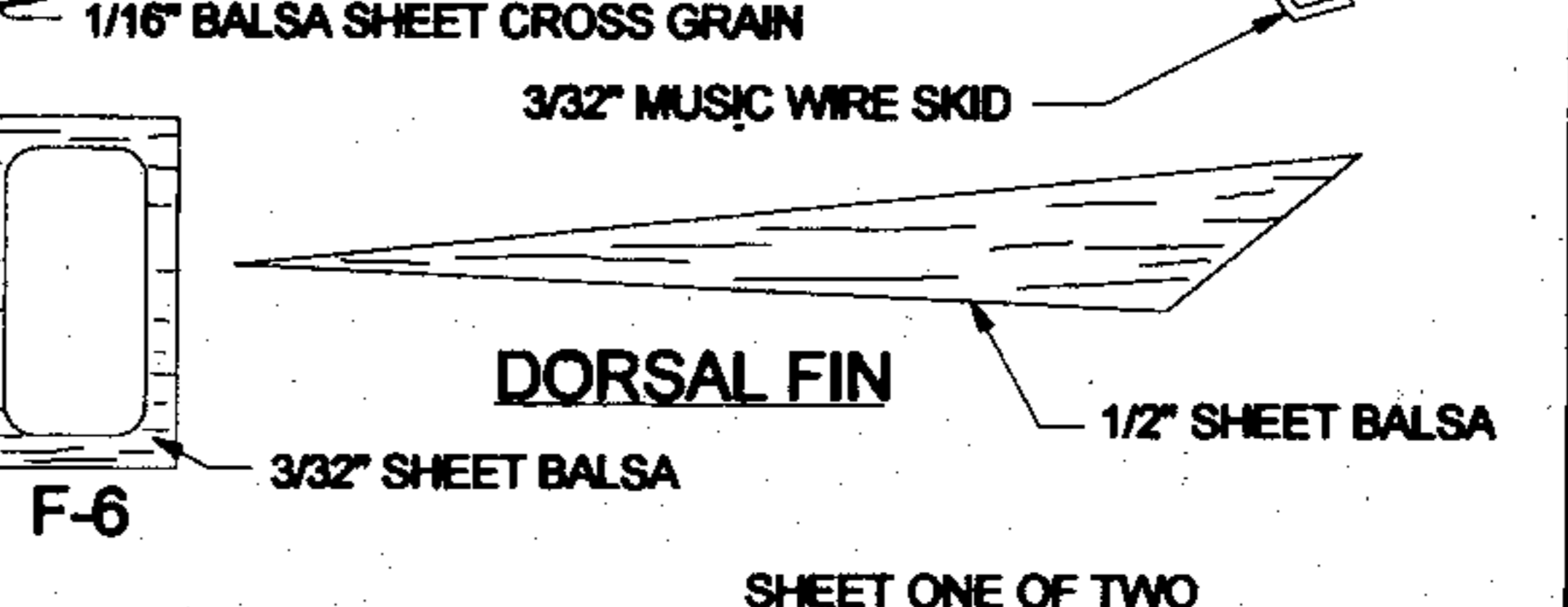
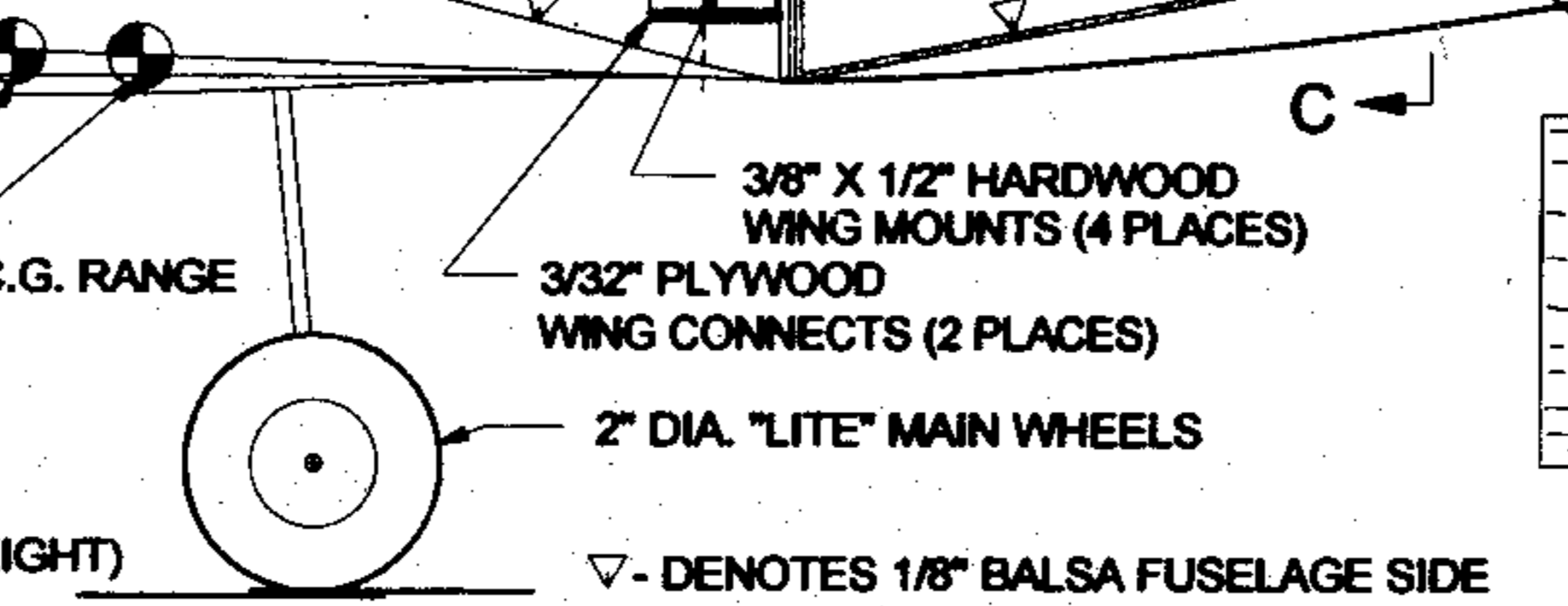
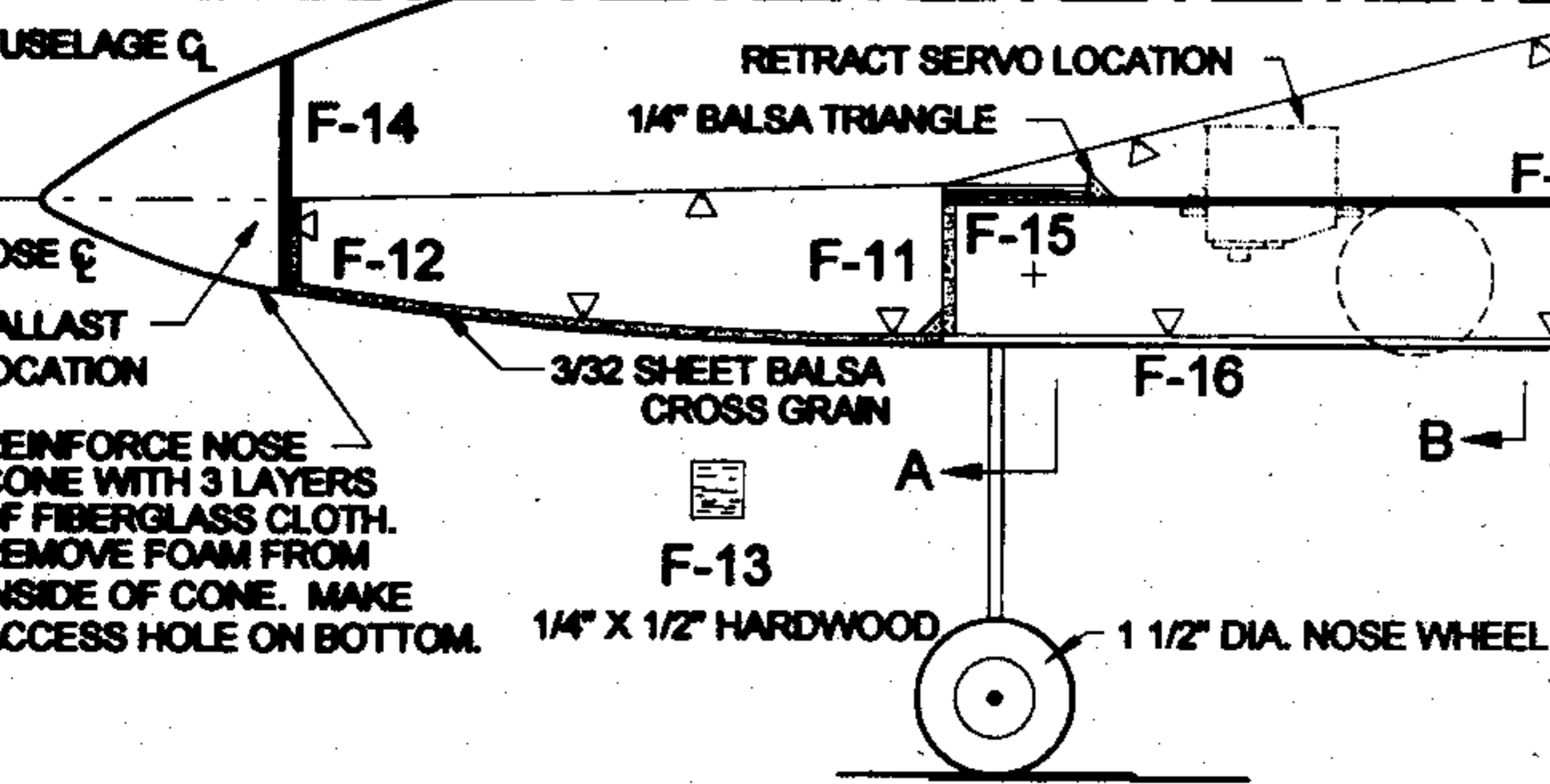
VR-4

VR-5

VR-3

VR-2

VR-1



PRESCOTT PROJET

DESIGNED BY: TOM PRESCOTT
PLANS BY: TOM PRESCOTT

PLAN NO. 1266(2)

▽ - DENOTES 1/8" Balsa FUSELAGE SIDE