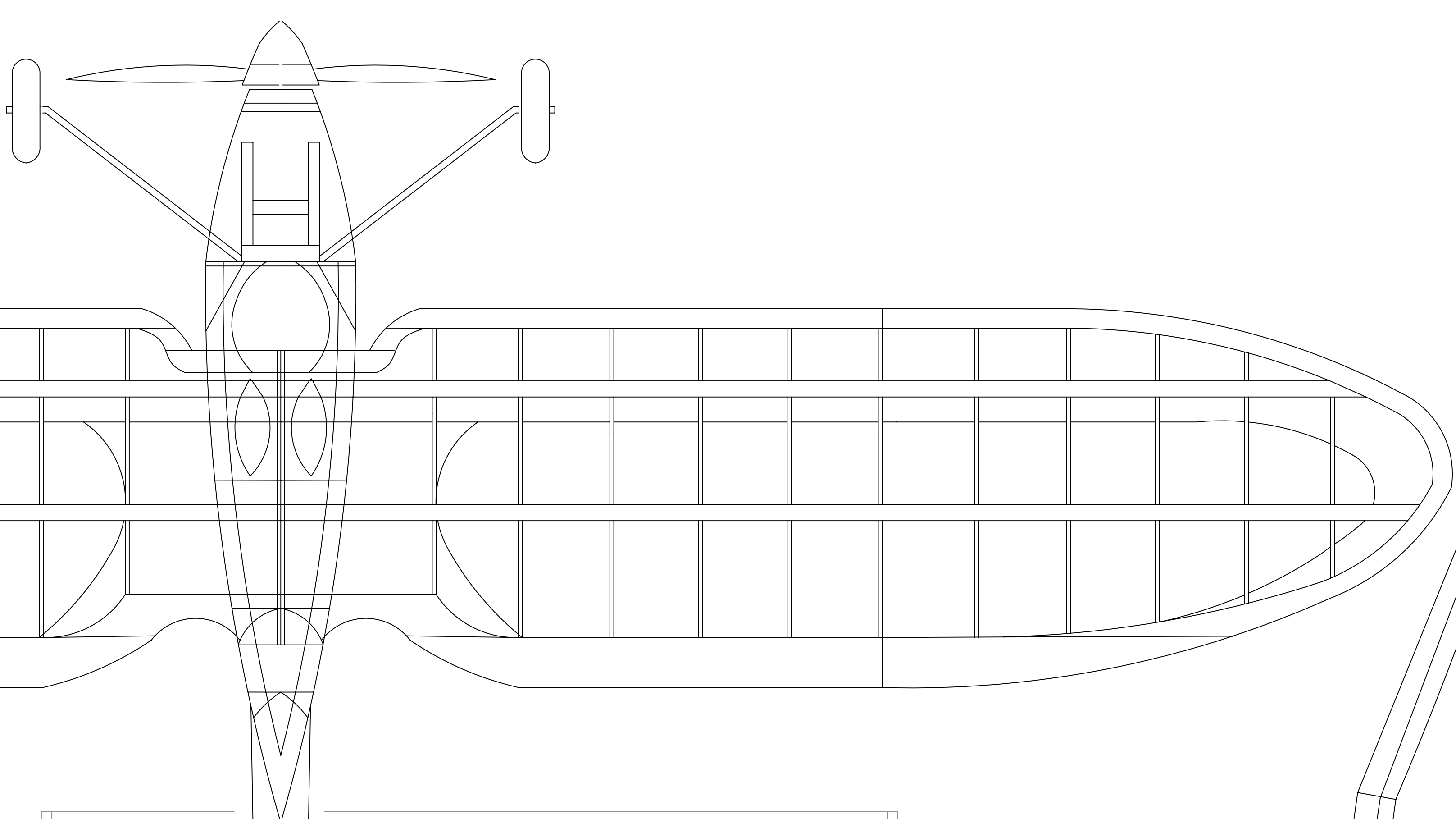


flat wing span 72"

2.25"

8.75"



Vintage F/F NOMAD
Modified & re-engineered for
3 channel R/C/ Assist

By:
Richard C. Bradford
rcb55@knet.com.com

