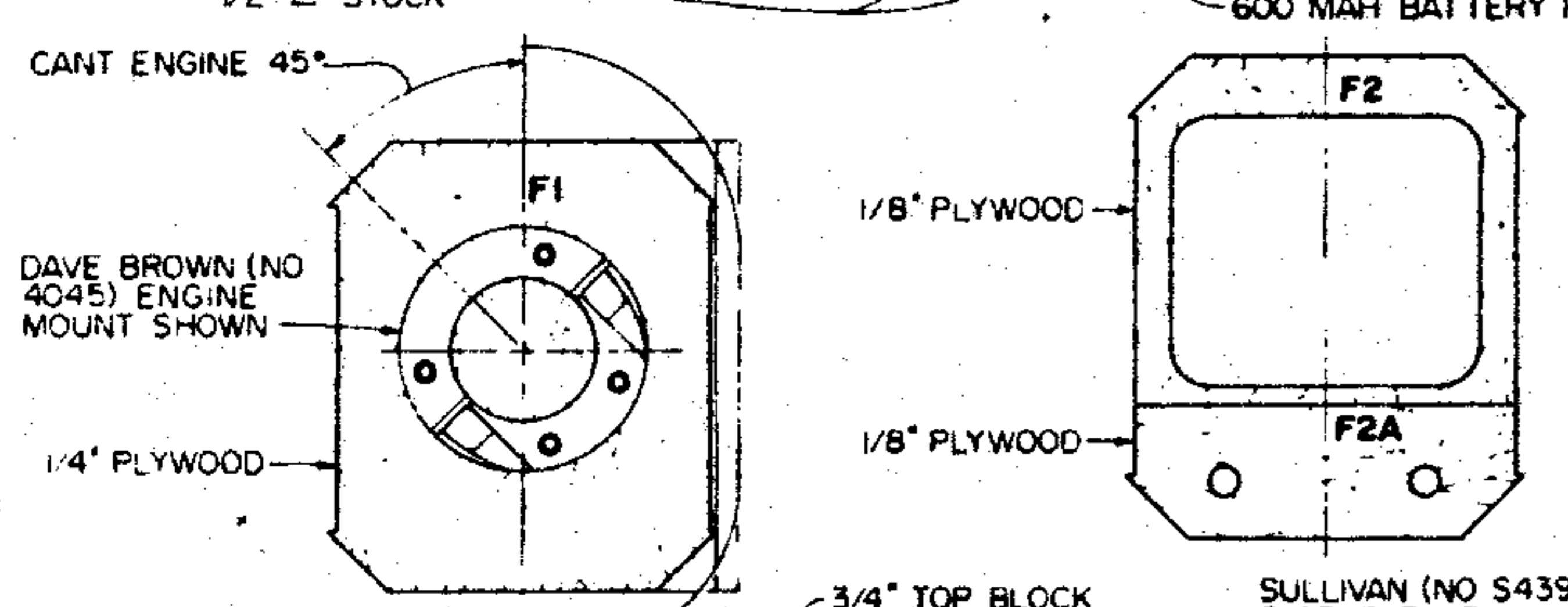
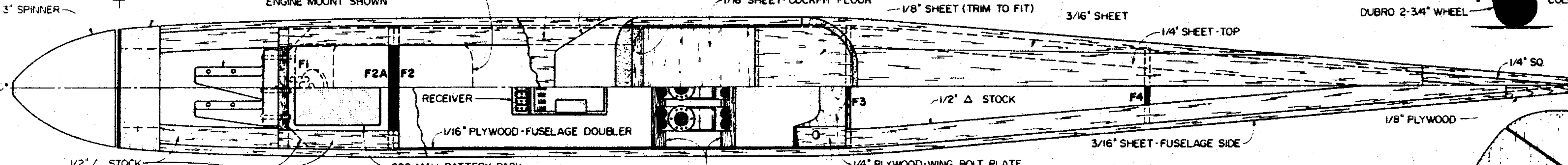
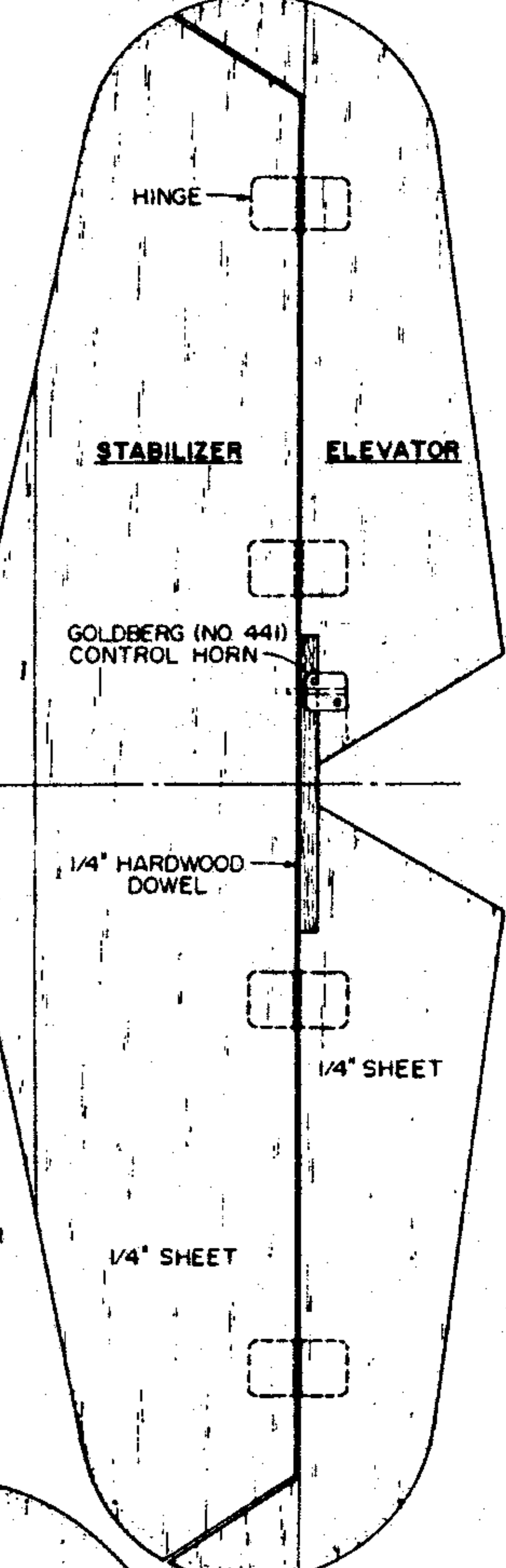
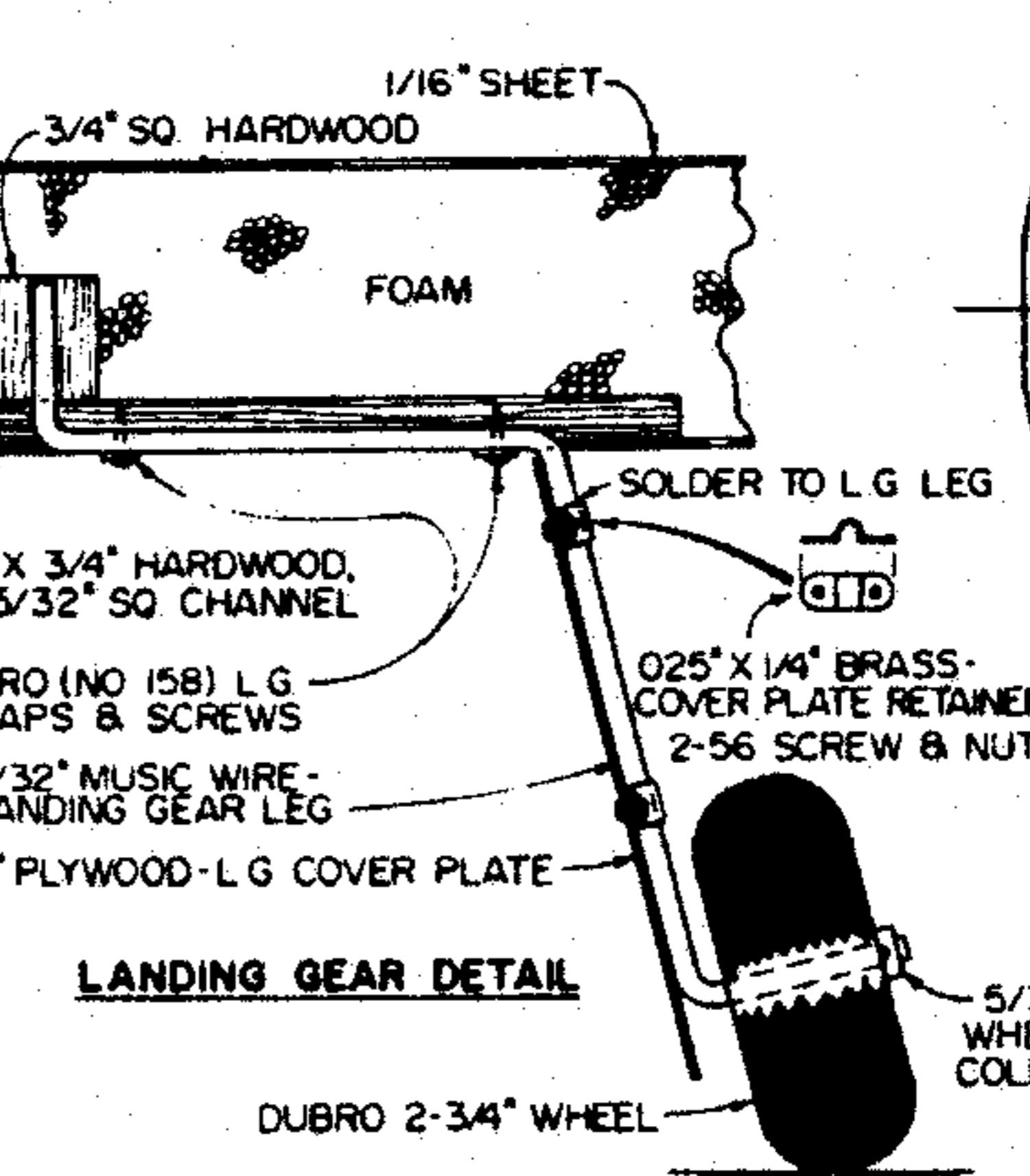
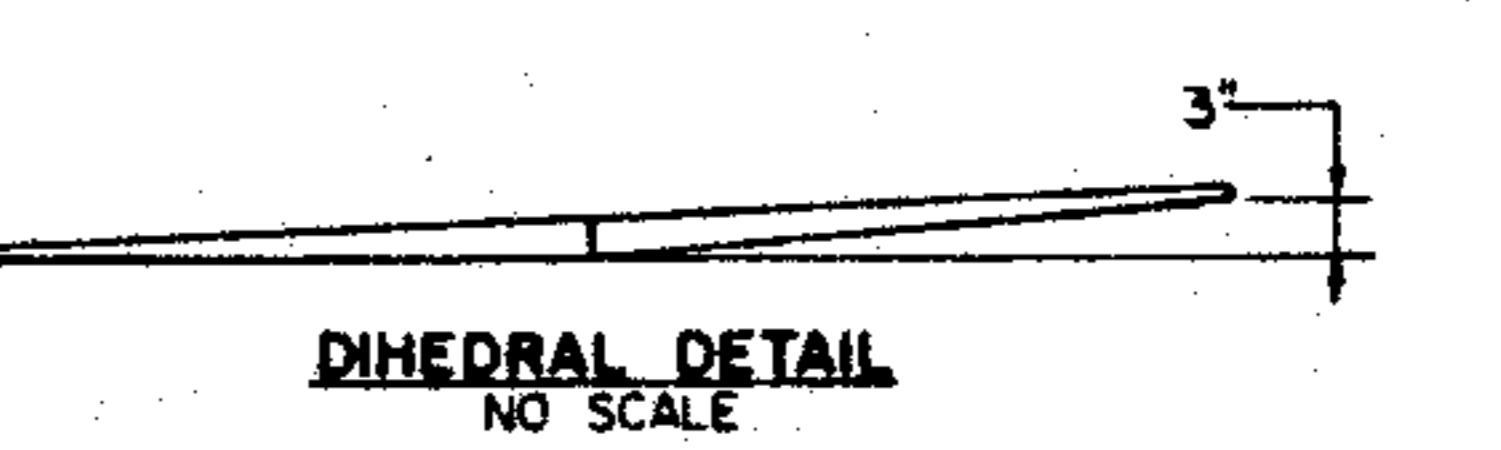
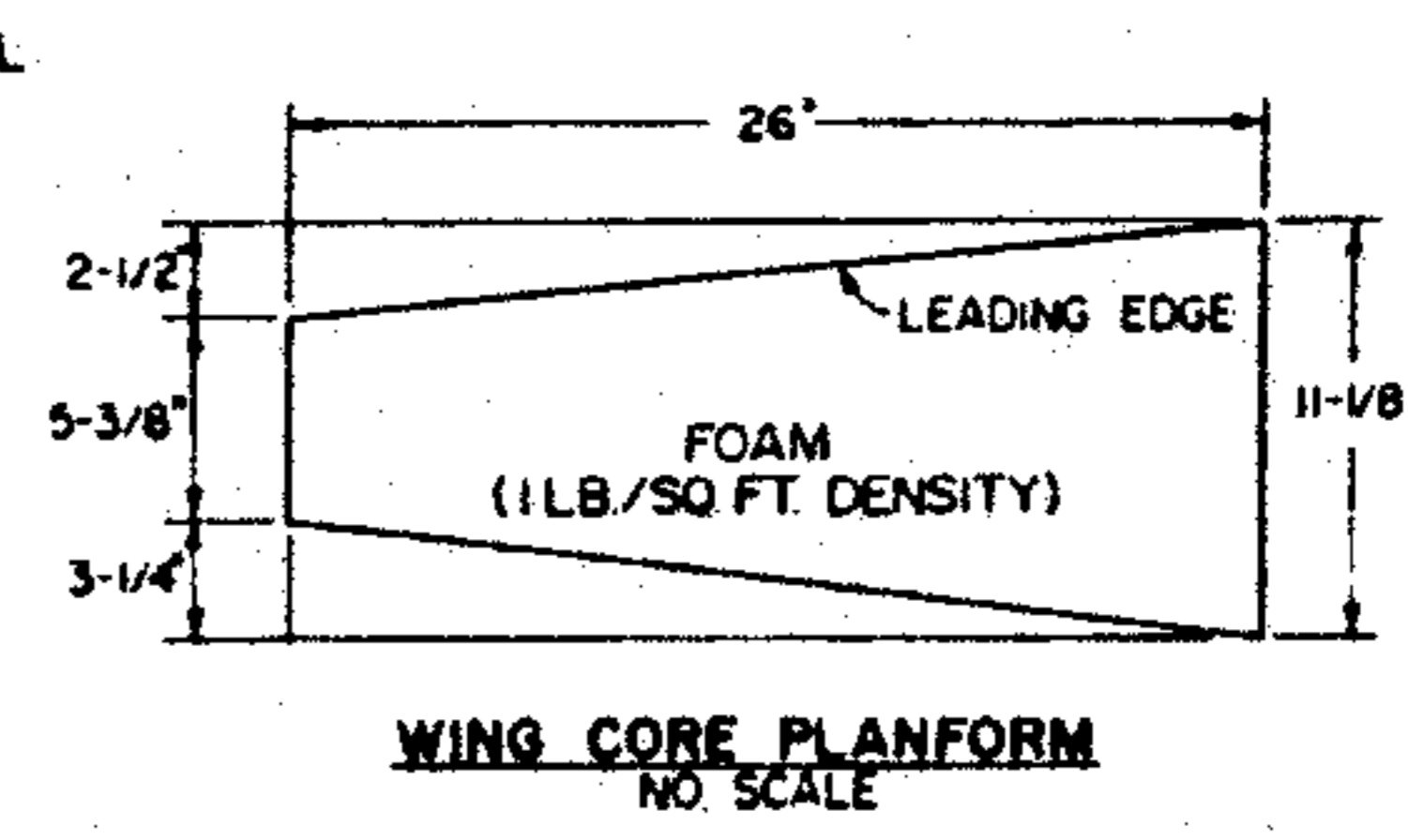
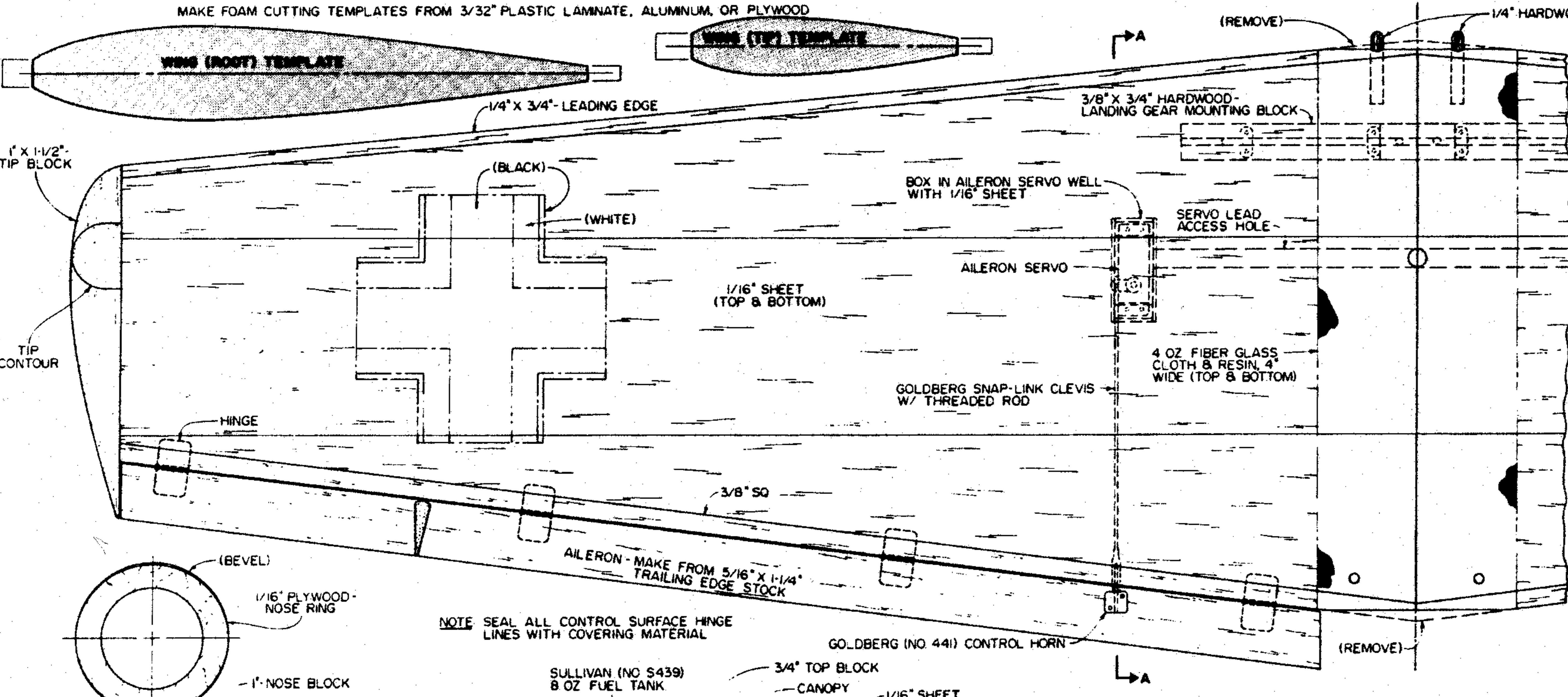
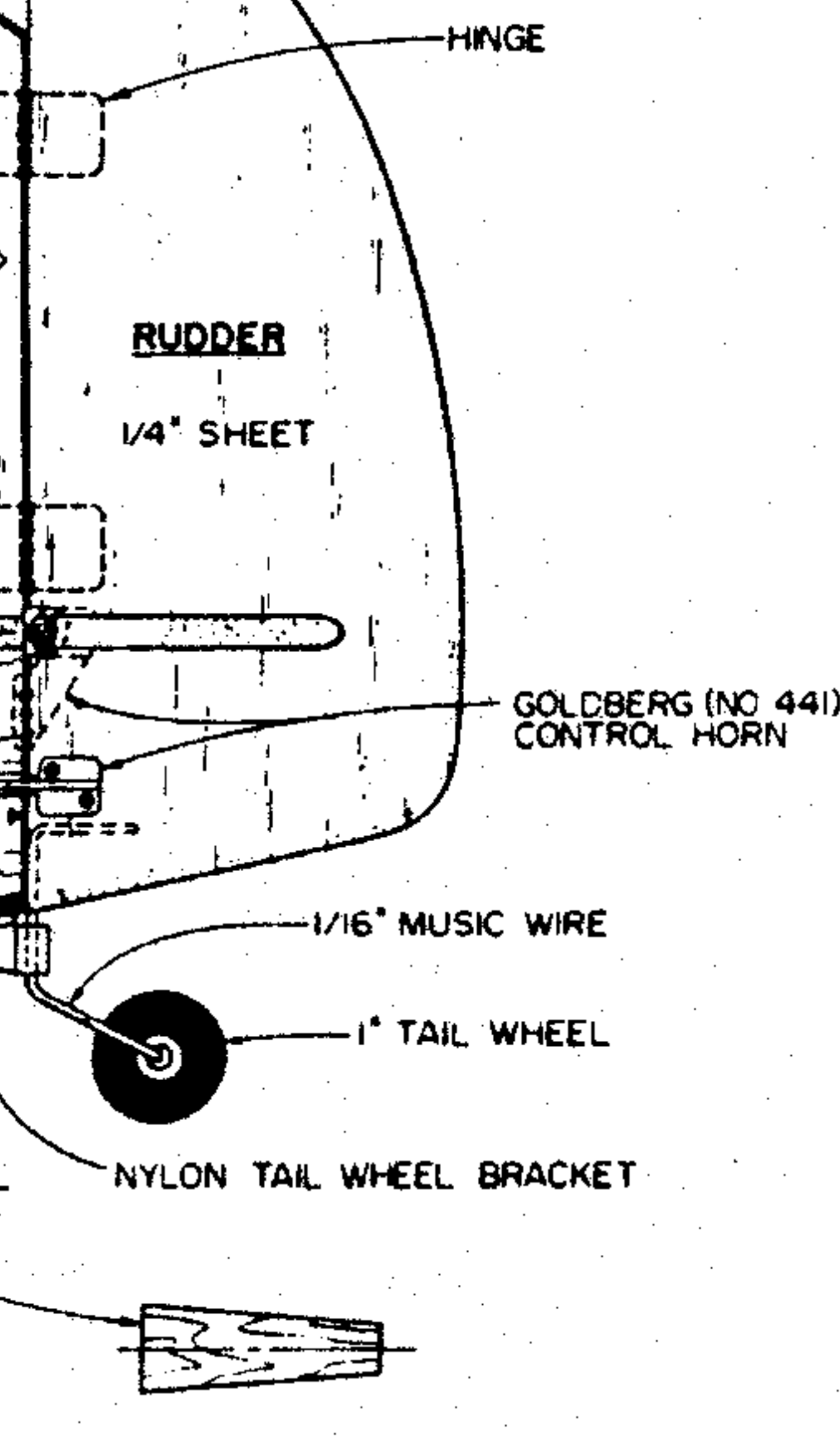
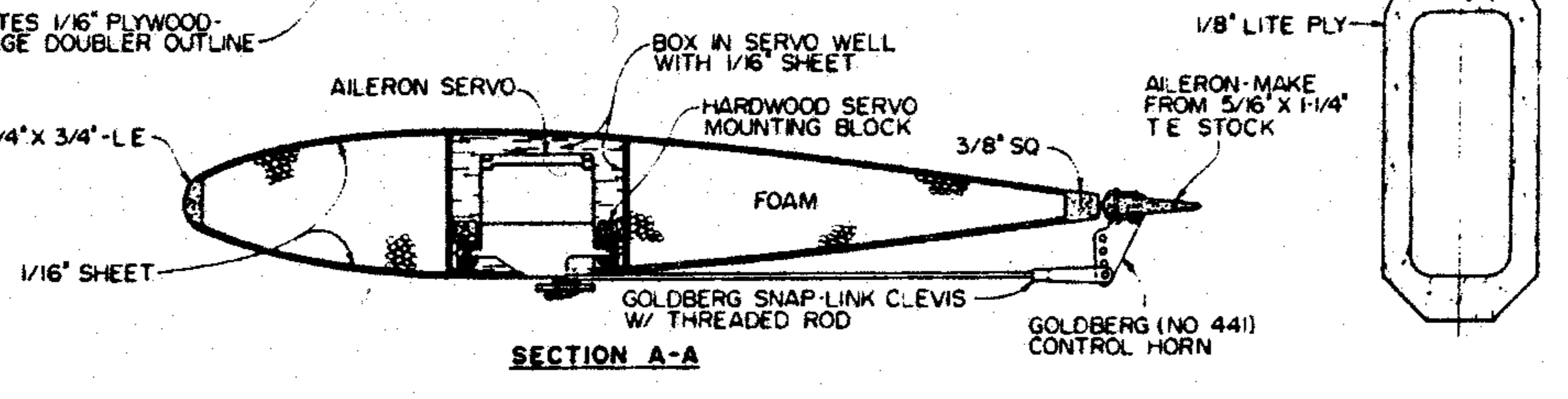
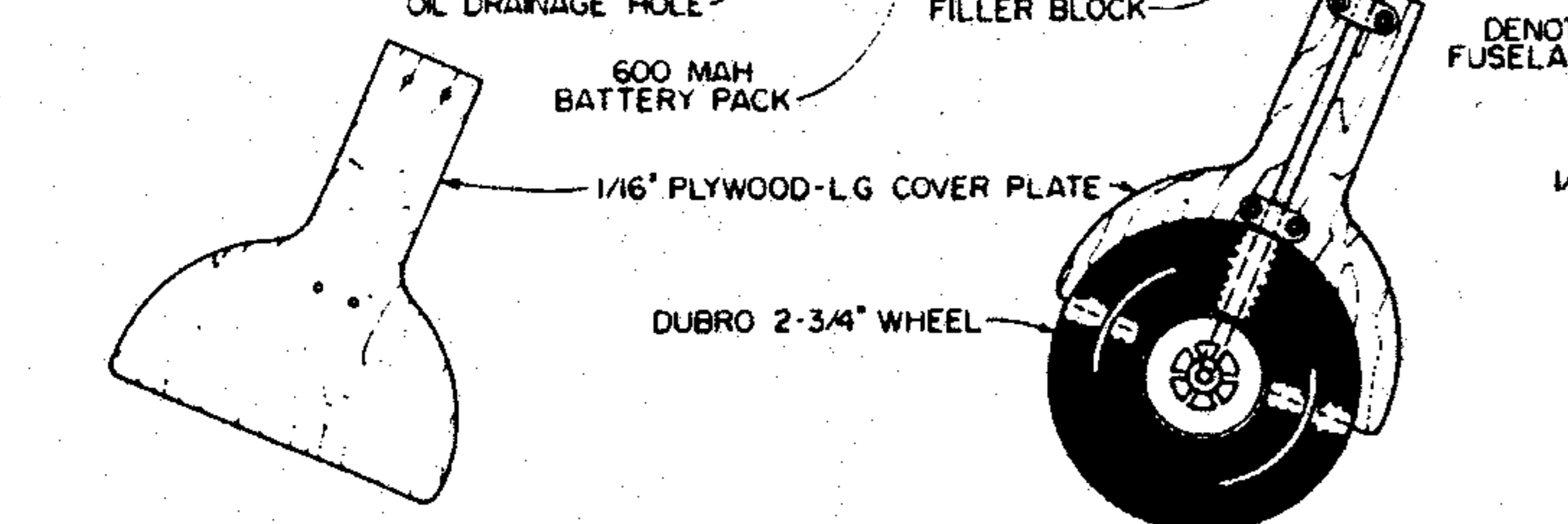
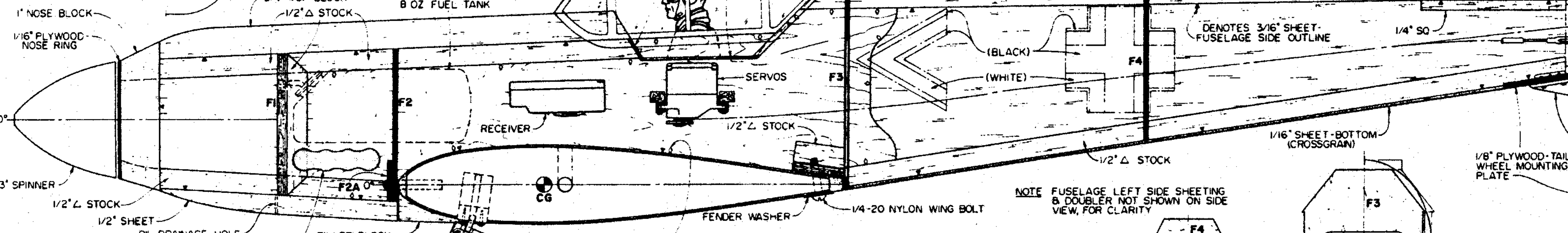


MAKE FOAM CUTTING TEMPLATES FROM 3/32" PLASTIC LAMINATE, ALUMINUM OR PLYWOOD



**CONTROL SURFACE TRAVEL LIMITS**  
AILERONS - 1/4" UP & DOWN  
ELEVATOR - 3/8" UP & DOWN  
RUDDER - 1" LEFT & RIGHT  
NOTE MEASUREMENTS ARE AT WIDEST POINT OF CONTROL SURFACE



NOTE: ALL WOOD IS BALSA, UNLESS NOTED OTHERWISE

© ALL COMMERCIAL RIGHTS RESERVED  
**Messerschmitt Bf109c**  
A 40-46 (2 STROKE) 40-65 (4 STROKE)  
POWERED SPORT SCALE DESIGN  
DESIGNED BY: SCOTT HERMANN  
PLANS BY: Bob Wallace  
PLAN NO. 1257