

1/8" SQ. L.E.

Q. LEADING EDGE

DIHEDRAL BRACE
1/16" HARD Balsa SHEET

2" DIHEDRAL UNDER EACH WING TIP

CONTROL SURFACE OUTLINE

CENTRE PANEL

1/16" x 3/16" T.E.

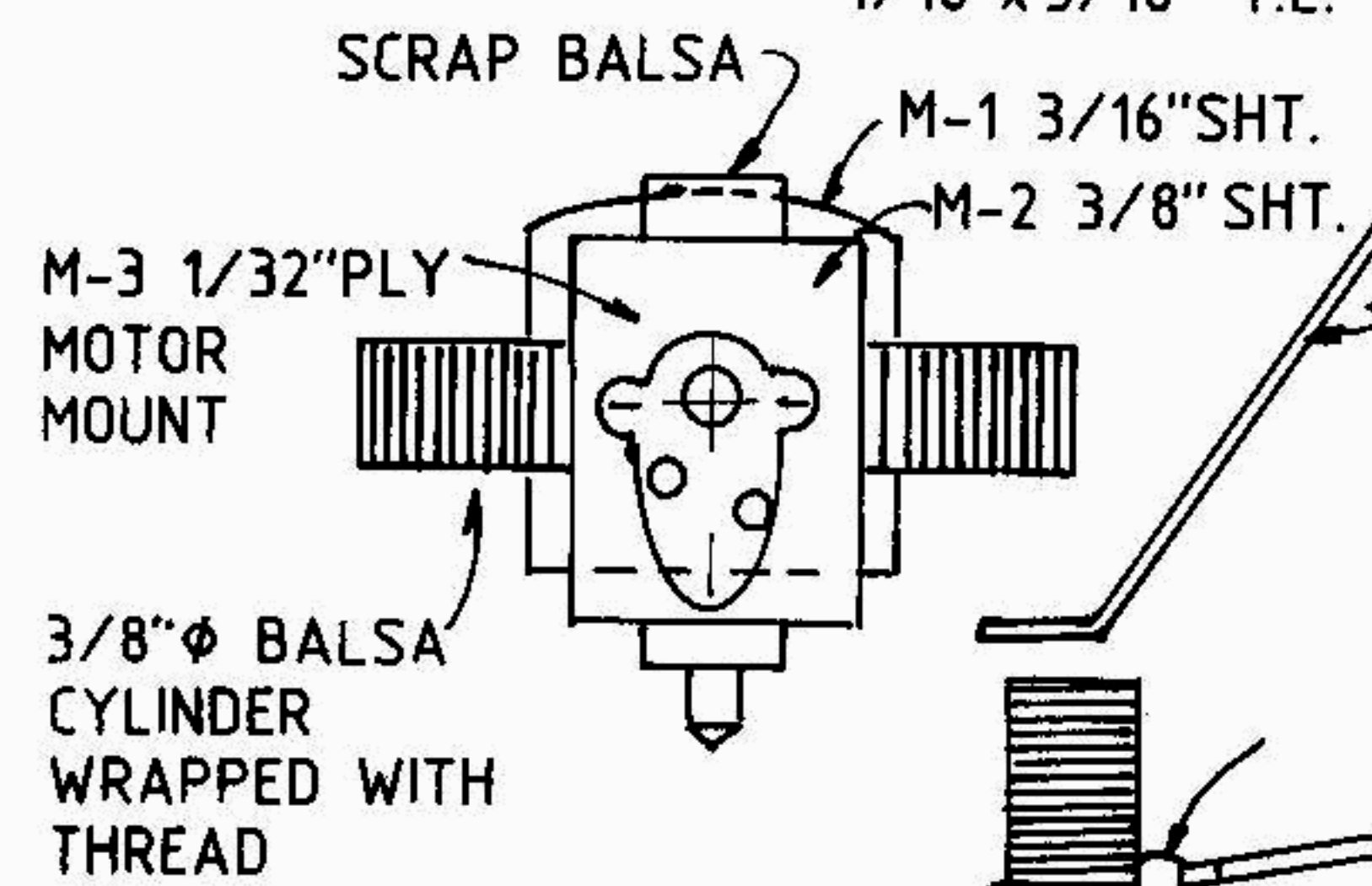
GLUE & SEW TO 1/16" SQ.

HARD 1/16" x 1/4" SPAR

1/16" x 3/16" T.E.

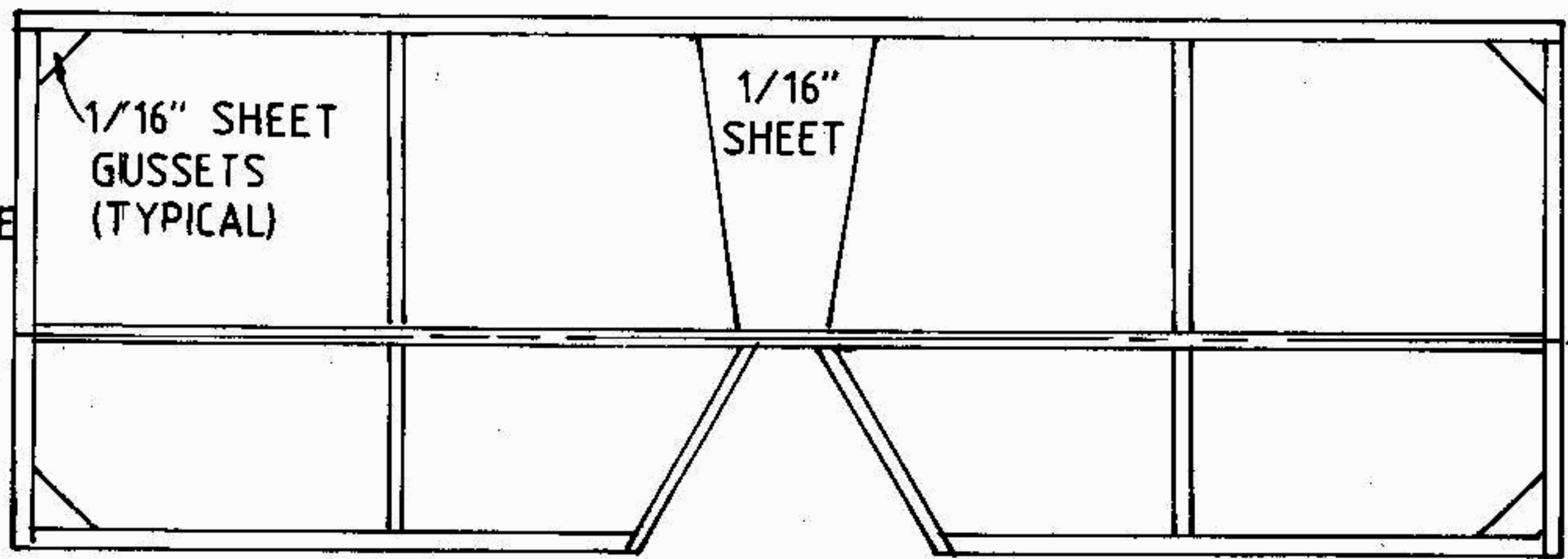
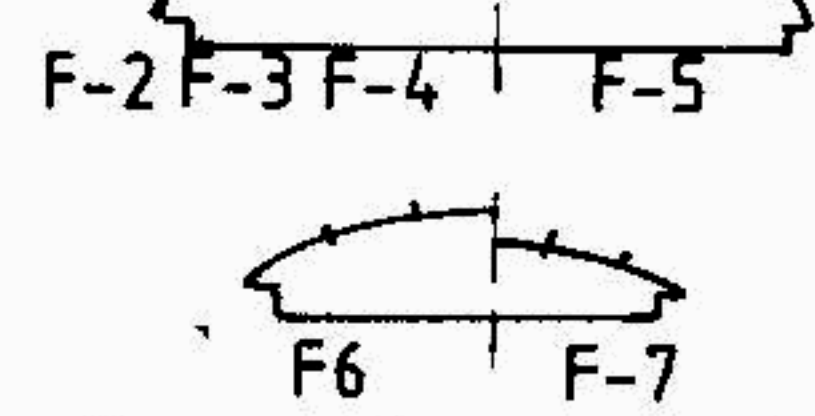
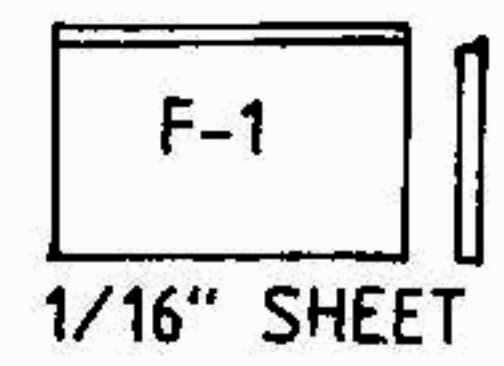
WING PANEL - SAME FOR LEFT & RIGHT (ONLY ROOT RIB CHANGE)
4 EACH 1/16" SQ. STRINGERS SPACED EQUALLY. FIT AFTER FORMERS ARE GLUED IN PLACE

STAB./ELEVATOR FROM HARD 1/16" SQ.

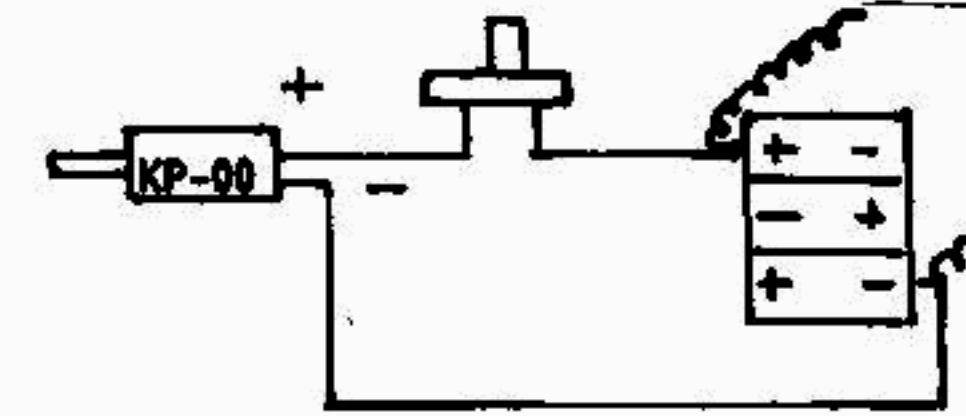


CROSS PIECE

0.045" WIRE LANDING GEAR



CONTROL SURFACE OUTLINE



"PIG TAILS" FOR CHARGING WITH ALIGATOR CIPS

Balsa BLOCK OR BLUE FOAM

WINDSCREEN

BOND PAPER COVERING

RED RUDDER

RUDDER FROM 1/16" x 1/8" OUTLINE WITH 1/16" SQ. RIBS

3 CELL 50mAh PACK SHOWN. START WITH TWO & WORK UP. USE SECOND 5-30sec. CHARGES FOR TESTING.

SCRAP Balsa
M-1
M-2
M-3

RED

LOCATE 2-3 CELL PACK FOR BALANCE

1/16" x 1/8" BACKBONE

1/16" SQ.

COVERING:- ORIGINAL USED WHITE SUPE LITE TISSUE FROM SAMS. TWO COATS OF 50/50 CLEAR DOPE/THINNERS TO APPLY TISSUE AND THREE COATS OF 50/50 TOFINISH.

SCRAP Balsa
1/32" DIA. WIRE
SCRAP 1/8" φ DOWEL

14 EACH - 1/16" RIBS
1/16" x 3/8" PLY GLUED TO .045" DIA. WIRE

FUSELAGE LONGERONS, VERTICALS, & CROSS PIECES FROM HARD 1/16" SQ. Balsa

1/32" PLY TAIL SKID

G-AAEY

1/8" DIA. Balsa WHEELS OR WILLIAMS BROTHERS PLASTIC WHEELS

HENDERSON-GLENNY
GADFLY G-AAEY

FREE FLIGHT FOR NO. 00