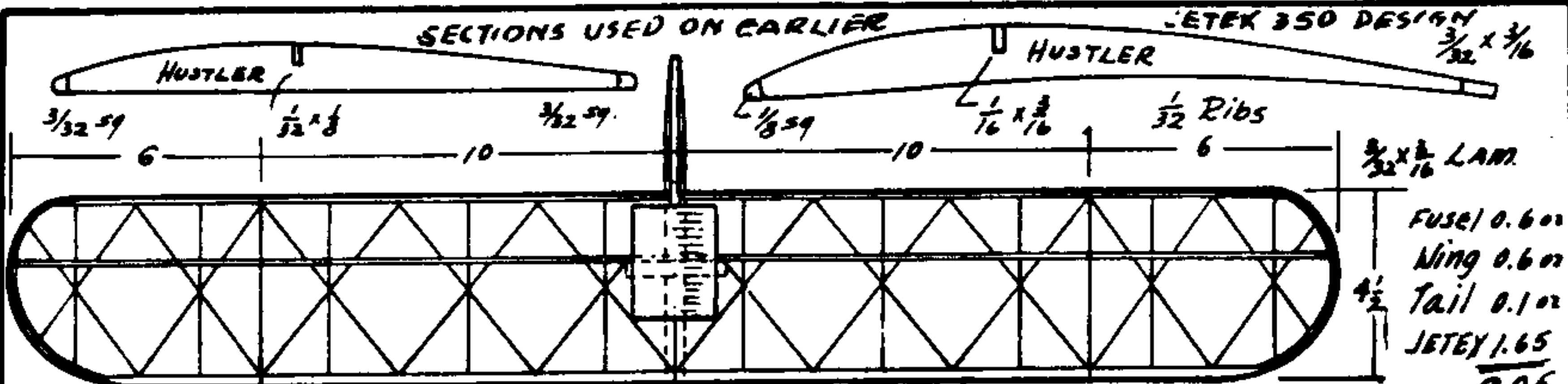
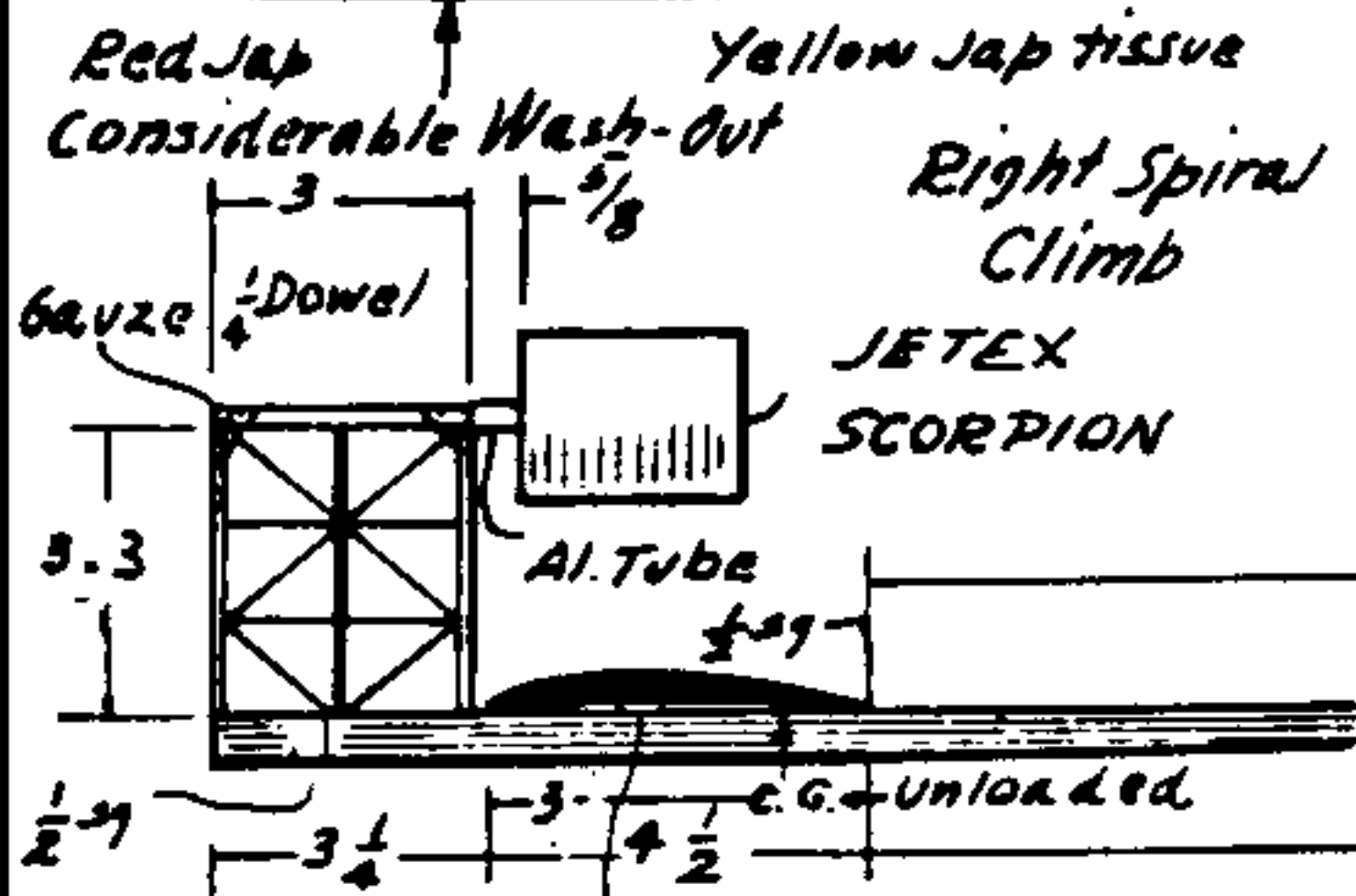


SECTIONS USED ON EARLIER

JETEX 350 DESIGN $\frac{3}{32} \times \frac{3}{16}$

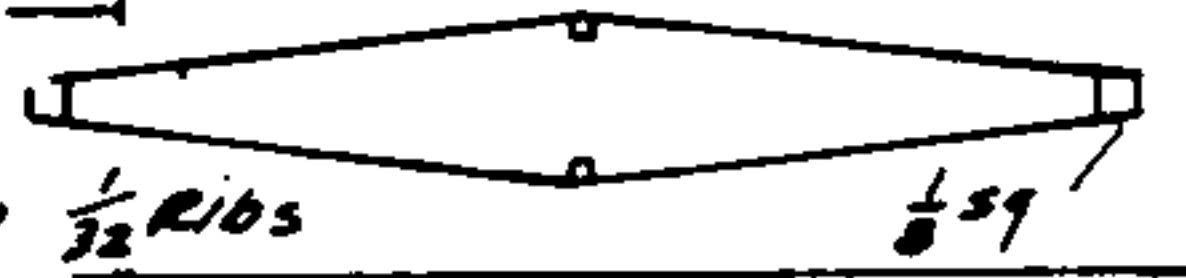
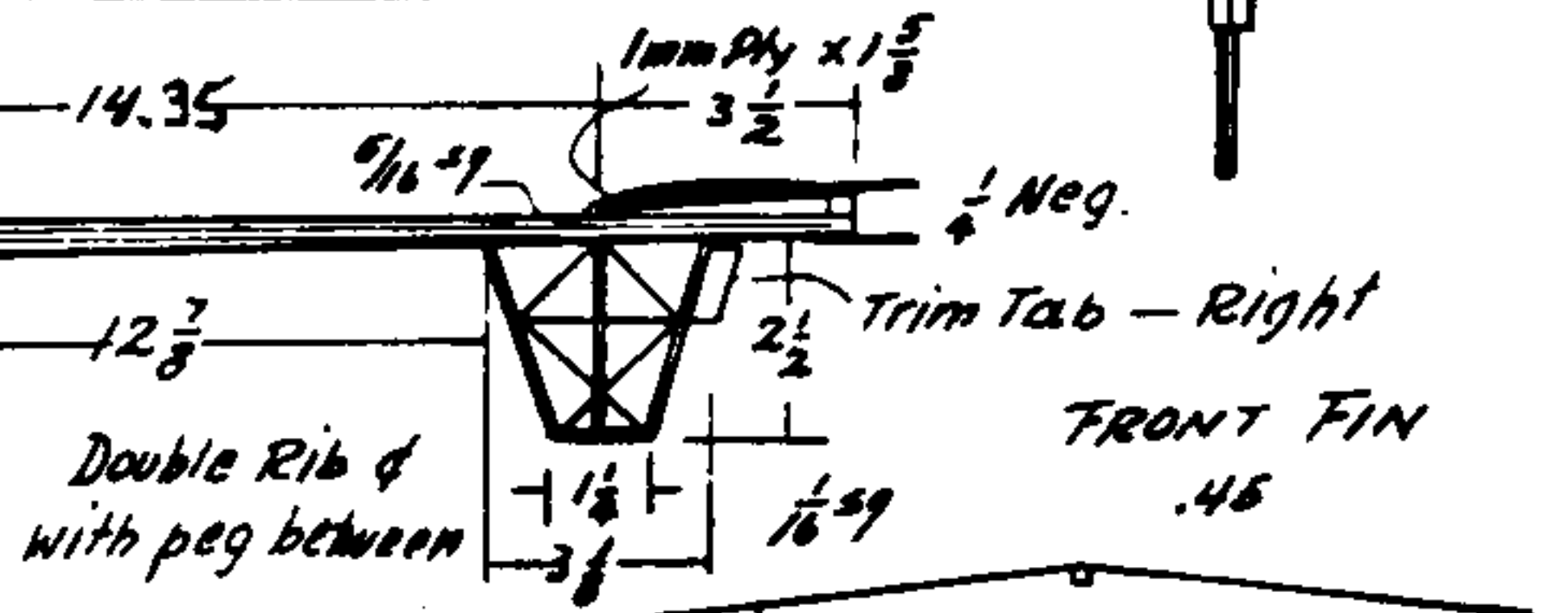
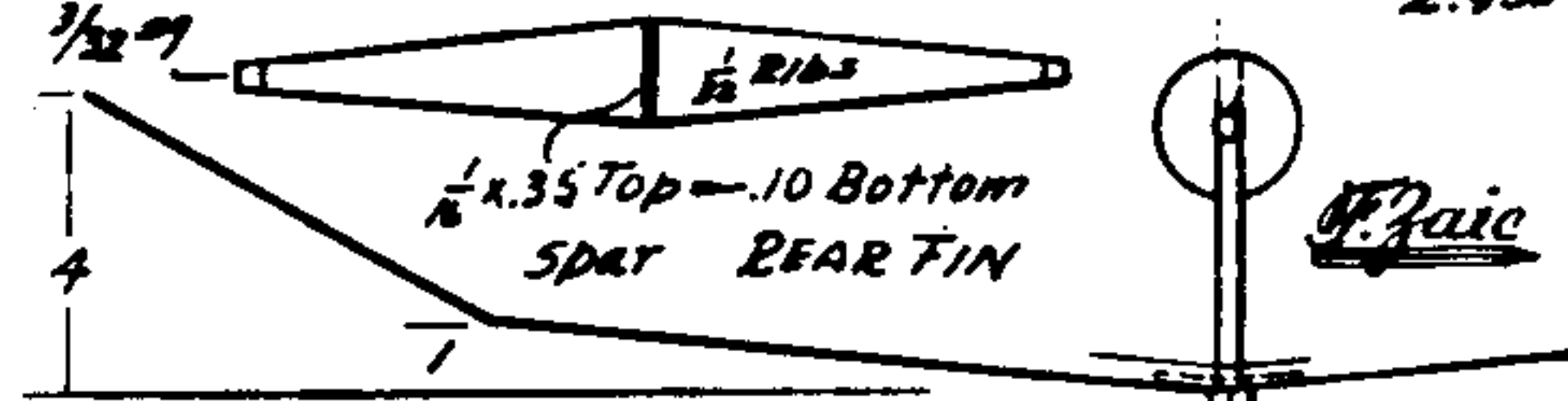
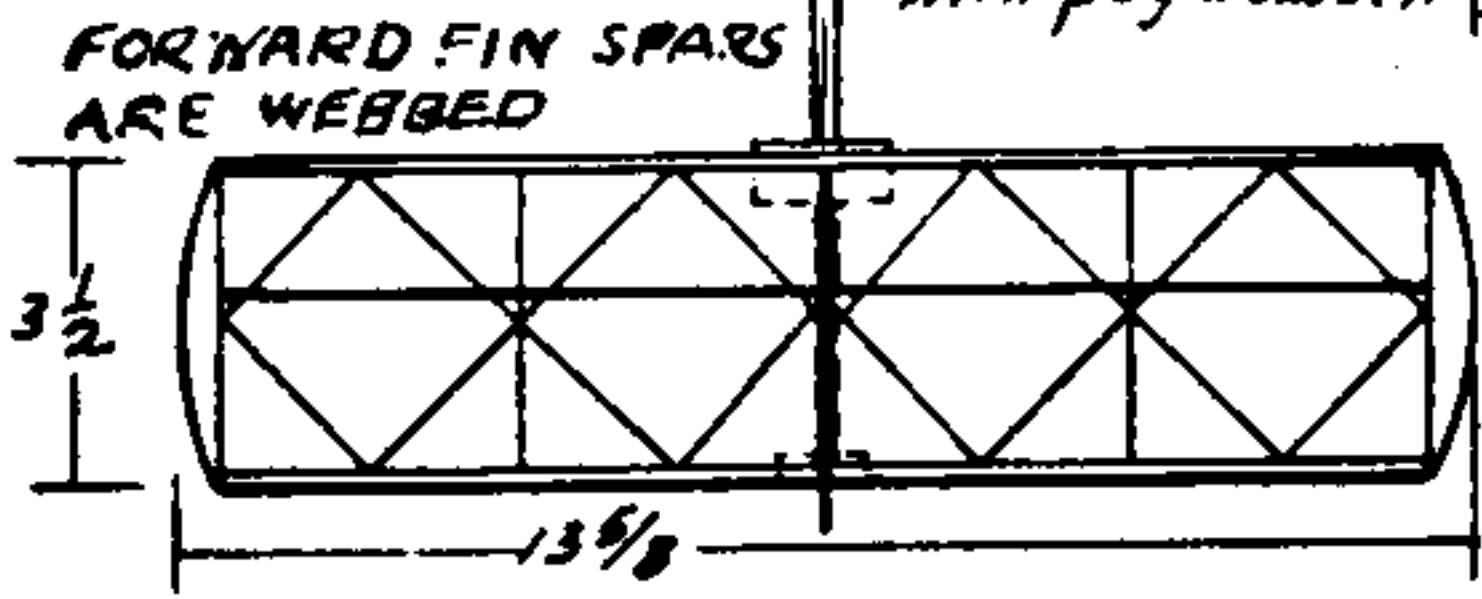


FUSEL 0.601
 Wing 0.607
 Tail 0.102
 JETEX 1.65
2.956



1/2 Hand Wing Support
 2' span $\frac{1}{2} \rightarrow \frac{3}{16}$

FUSELAGE
 1/32 Sheet Box



CASTAWAY JETEX
 JOHN O'DONNELL
 ENGLAND