

# AGM-12B Bullpup A

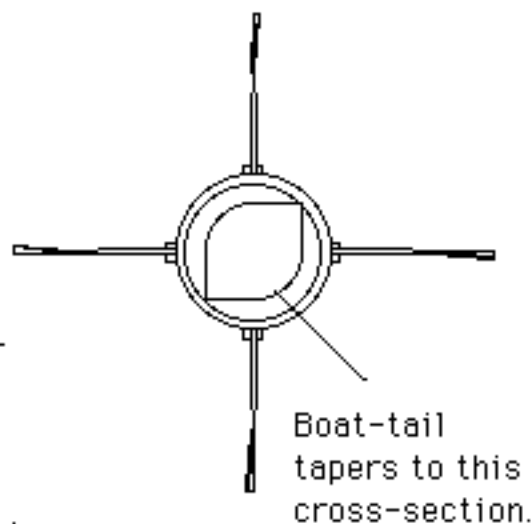
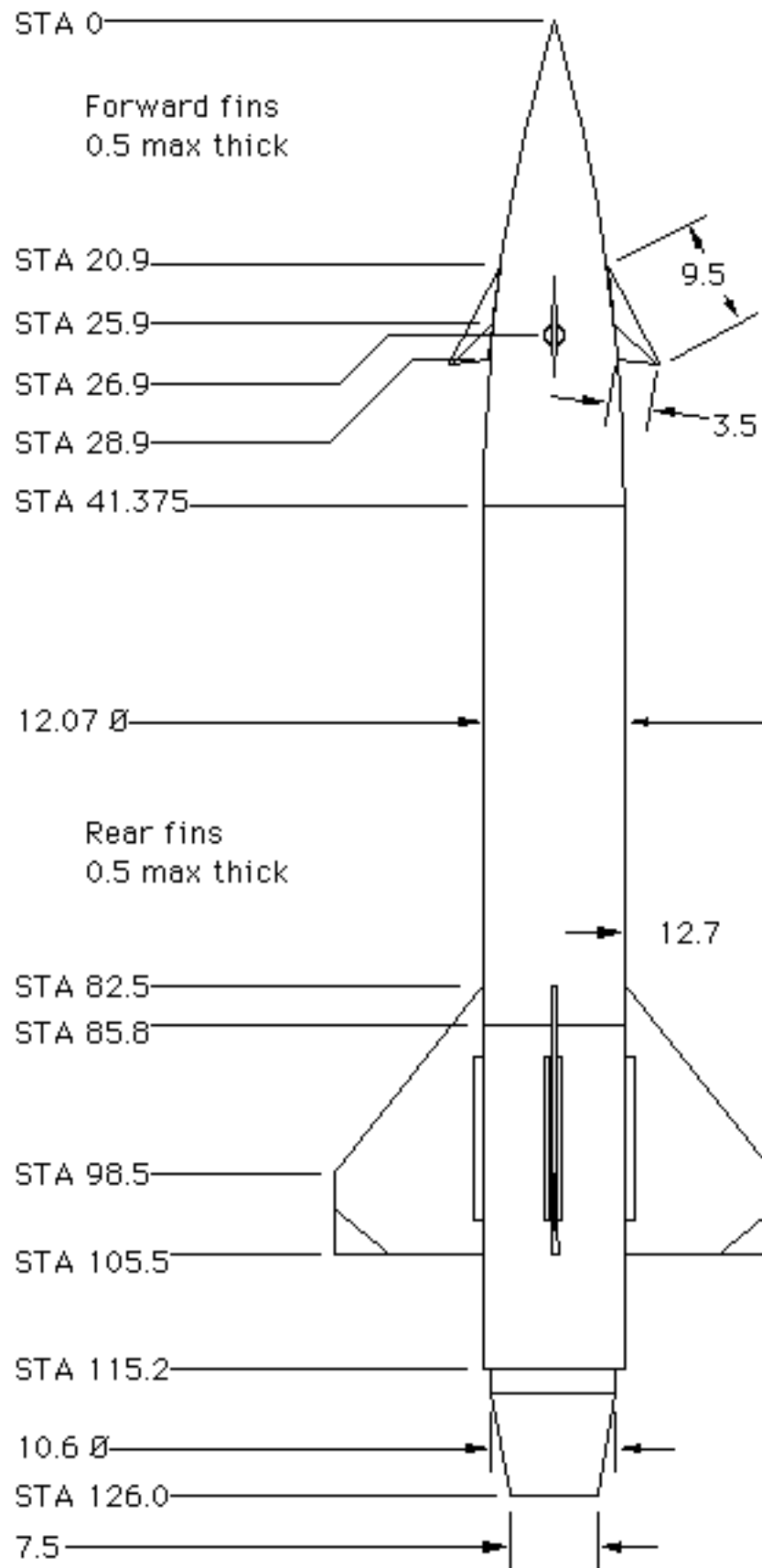
1/15 scale

Dimensions in Inches

© 1996 Peter Alway

Source:

"The AGM-12B Bullpup A,"  
Fred Williams, *Aviation*,  
February 1991.



Spin tab bent  
~0.5"